

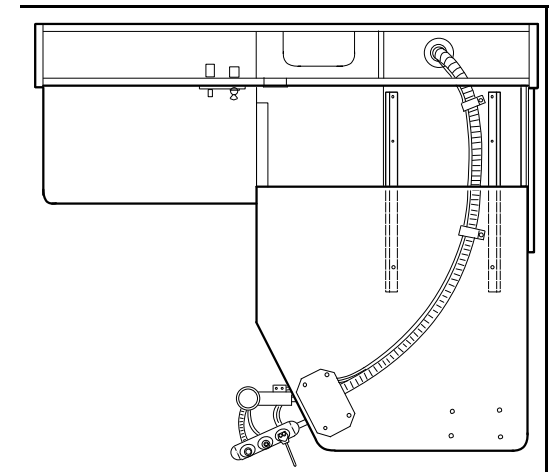
accessory panel along the back of the cabinet and down to the utility center through the same hole used for the other umbilical. Connect yellow line to regulated air. Connect blue line to regulated water.

6. Open the manual shut-off valves in the utility center. Adjust regulated air to 80 p.s.i. and regulated water to 40 p.s.i. The mini-regulators are non-relieving. When adjusting for a lower pressure, make the knob adjustment, then press the syringe button to relieve pressure and give an accurate gauge reading.



Committed to Innovation

**Installation Instructions for the
System 6000, Model #6570**



The following items are contained in this package:

- ◆ Vacuum canister/arm assembly.
- ◆ Instrument holder bar.
- ◆ One Quick Clean standard syringe.
- ◆ One standard syringe kit.
- ◆ One chromed HVE assembly.
- ◆ One chromed SE assembly.
- ◆ Mounting block and plate.
- ◆ One air/water accessory panel with fittings and tubing installed.
- ◆ Template for air/water accessory panel hole pattern.
- ◆ One hardware package.

You will need the following tools and materials to install the 6570

- Phillips head screwdriver.
- 1/8" sleeve tool.
- 3/8" socket wrench

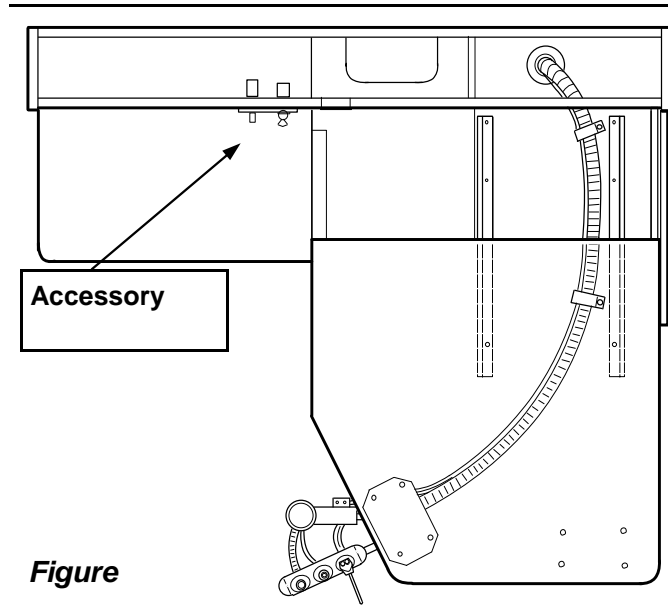
1. The 6570 is designed to fit either the A-6 or the A-16 Belmont cabinet. The upper panel of either cabinet should be pre-drilled to accept the air/water accessory panel. If the cabinet is not pre-drilled, use the template provided to cut holes for the panel and mounting screws. Mount the panel with the washers and hex nuts provided.

NOTE

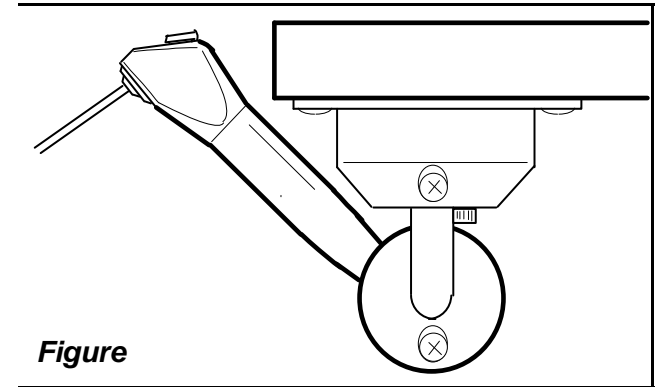
The Belmont A-6 and A-16 cabinets come with two sets of pre-drilled holes for the instrument package. One set is used if the instrument package is being used alone. The other is used when the instrument package is used in conjunction with the under the counter control unit and doctor's instrument bar. Refer to Figure 1 for proper location of your set-up.

2. The underside of the cabinet counter-top has factory-installed tee nuts for installation of the instrument package. Orient the mounting plate and block as shown in Figure 1.

Use the 10-24 x 1/2" screws to mount the



package to the underside of the counter-top. Refer to Figure 2 for orientation of the stop screw and angle of the holder bar. These two adjustments provide proper positioning of the instrument package.



Figure

NOTE

It is important to position the cable clamps and route the umbilical as shown in Figure 1, in order to ensure proper foldback of the umbilical when the counter-top is pushed in.

3. Install cable clamps for the umbilical using #10 wood screws provided in the hardware kit. Holes are pre-drilled. Refer to Figure 1 for proper orientation of clamps. Position the clamps and umbilical as shown with the counter-top in the fully extended position.
4. Route the syringe tubing and 5/8" umbilical into the hole provided in the back of the cabinet (Figure 1), and down to the utility center. Connect the ribbed syringe line to regulated air. Connect the remaining syringe line to regulated water. Connect the 5/8" umbilical to vacuum.
5. Route the blue and yellow tubing from the