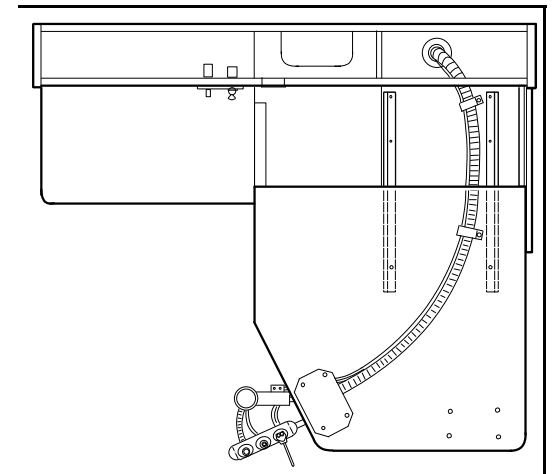




Committed to Innovation

Operating Instructions for the



System 6000, Model #6570

Operation and Adjustments

Instruments

The 6570 package includes an autoclavable HVE, an autoclavable SE, and a Quick-Clean syringe. All three come with their own operating and maintenance instructions.

Holder Bar

The three position holder bar has two adjustments (see *figure 1*): the angle of the holder bar and position of the stop screw.

To change the angle of the holder bar, loosen the set screw which holds it in place, rotate the bar to the desired position, and retighten the set screw.

The stop screw can be removed and placed in any one of four threaded holes in the block to provide different stop points for the holder bar.

Solids Collector

The solids collector is mounted on a swing-away arm, mounted under the counter. It contains a screen which should be cleaned, or replaced, periodically.

Air Water Accessory Panel

This panel provides a quick-disconnect source of both air and water. The air is controlled by an on-off toggle located directly above the 3/8" QD fitting. The water is controlled by a needle valve directly above the 1/4" water QD. Both QD fittings contain an internal shut-off mechanism; water or air will shut off automatically when the connection is broken.

Cleaning and Maintenance

Note

Do not use powdered cleansers, scouring pads or abrasive scrubbers on any of the finished metal surfaces in this unit (for example, the Quick-Clean Syringe or the vacuum valves). Sodium Hypochlorite will also damage these surfaces.

Holder Bar, Solids Collector and Painted Surfaces

These surfaces can all be cleaned with any commonly available surface disinfectant. However, some disinfectants can cause discoloration with repeated use. This can be minimized by frequent cleaning with soap and water. If you use an Iodophor, follow up with an Iodophor Neutralizer.

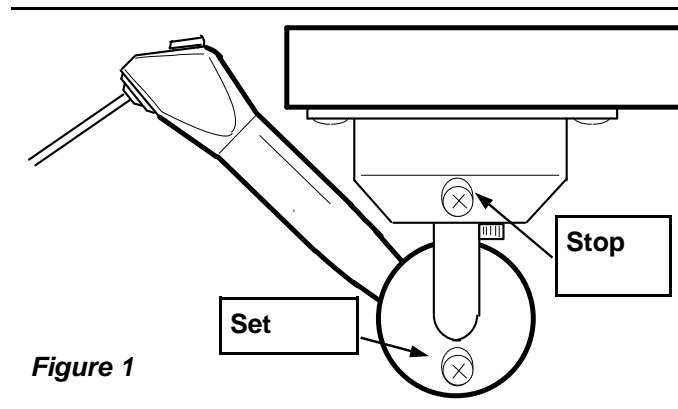


Figure 1