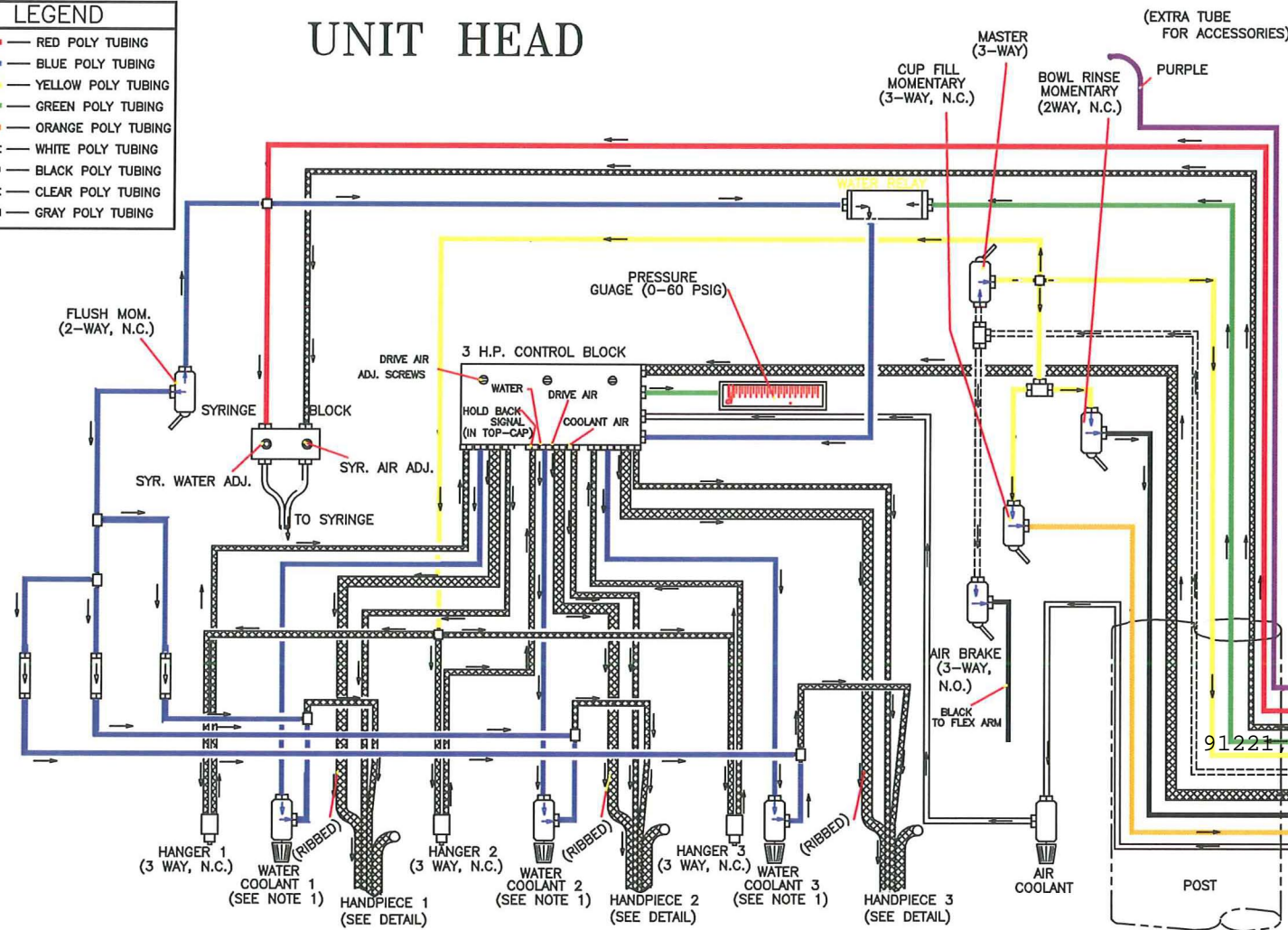
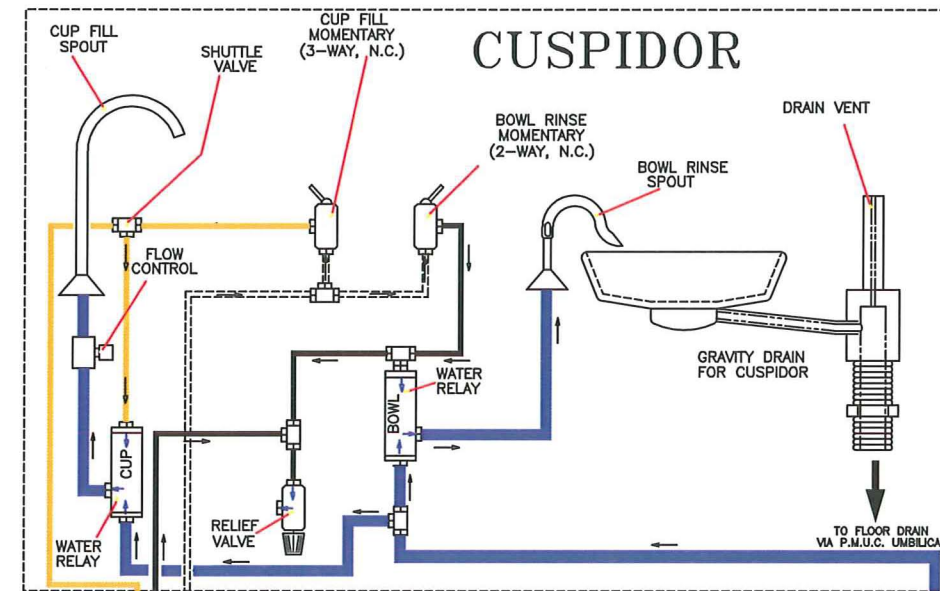


LEGEND	
	RED POLY TUBING
	BLUE POLY TUBING
	YELLOW POLY TUBING
	GREEN POLY TUBING
	ORANGE POLY TUBING
	WHITE POLY TUBING
	BLACK POLY TUBING
	CLEAR POLY TUBING
	GRAY POLY TUBING

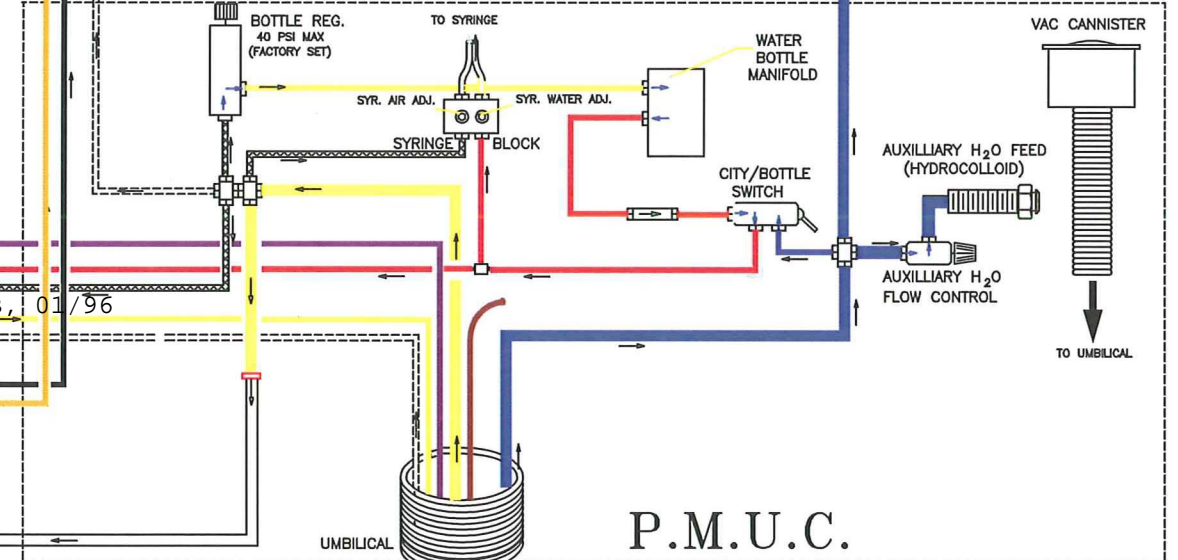
UNIT HEAD



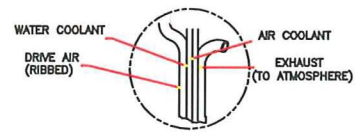
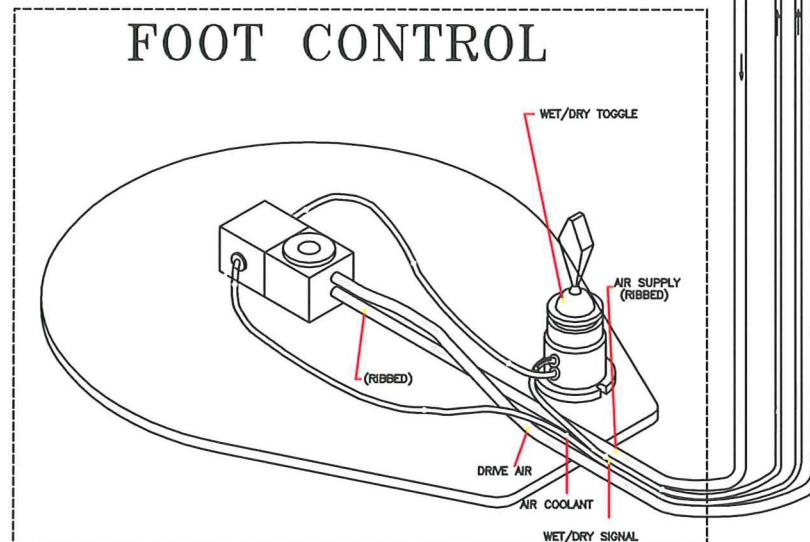
CUSPIDOR



P.M.U.C.



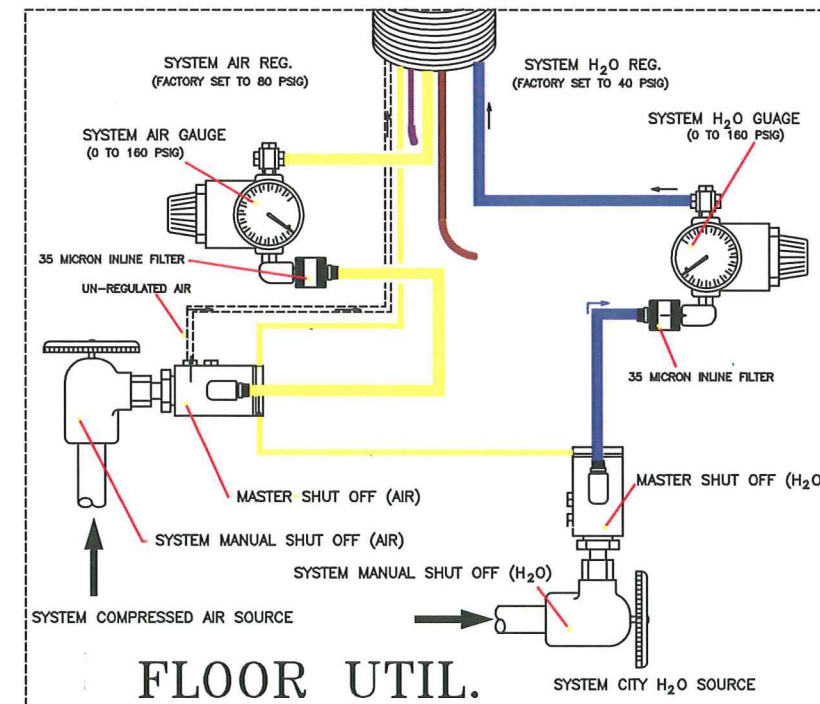
FOOT CONTROL



HANDPIECE TUBING DETAIL (TYP 3 PLACES)

NOTES:

1. RECOMMENDED INITIAL WATER COOLANT ADJUSTMENT IS 4-5 DROP PER SECOND



FLOOR UTIL.