

DCI REPAIR KIT #9154

Installation Instructions

Be sure all o-rings in all assemblies have adequate silicone lubricant applied before assembly. Silicone Lubricant included in kit.

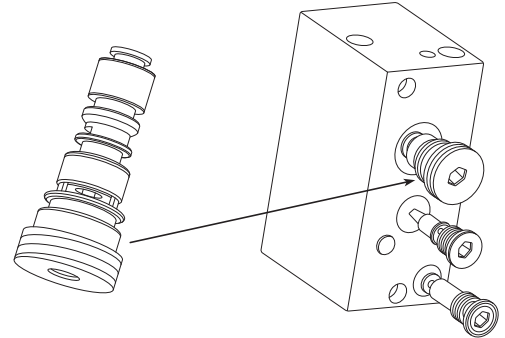
NOTE: Be sure to identify and turn off all pressure sources supplying the control block before proceeding.

Removal and installation of DCI Part #9169-I

1. Remove existing Century Plus® cartridge water valve assembly from Century Plus® block, using 3/32" hex wrench. Be sure all components of valve have been removed.

Important:

2. Before moving to next step - clean the Century Plus® block water valve bore of all corrosion and debris including supply ports in block - otherwise new DCI valve may not function properly.
3. Insert DCI #9169-I into cleaned block turning valve with 3/32" hex wrench clockwise until tight.

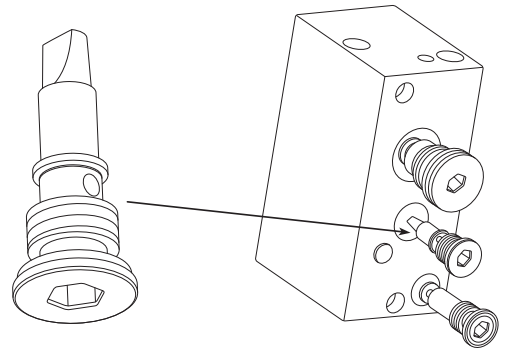


Removal and installation of DCI Part #9168-I

1. Remove existing Century Plus® cartridge check valve assembly from Century Plus® block, using 3/32" hex wrench. Be sure all components of valve have been removed.

Important:

2. Before moving to next step - clean the Century Plus® block check valve bore of all corrosion and debris including supply ports in block - otherwise new DCI valve may not function properly.
3. Insert DCI #9168-I into cleaned block turning valve with 3/32" hex wrench clockwise until tight.

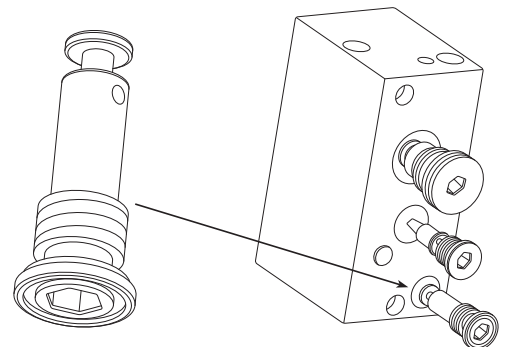


Removal and installation of DCI Part #9167-I

1. Remove existing Century Plus® cartridge bleed valve assembly from Century Plus® block, using 3/32" hex wrench. Be sure all components of valve have been removed.

Important:

2. Before moving to next step - clean the Century Plus® block bleed valve bore of all corrosion and debris including supply ports in block - otherwise new DCI valve may not function properly.
3. Insert DCI #9167-I into cleaned block turning valve with 3/32" hex wrench clockwise until tight.

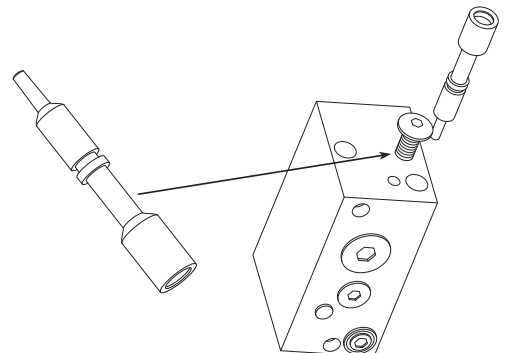


Removal and installation of DCI water flow adjustment stem

1. Remove existing 6-32 button head retention screw, using 1/16" hex wrench.
2. Rotate stem counterclockwise, remove stem.

Important:

3. Before moving to next step - clean the Century Plus® block water adjustment bore of all corrosion and debris including supply ports in block - otherwise new DCI stem may not function properly.
4. Assemble DCI stem into cleaned block turning stem with 1/8" hex wrench clockwise into approximate depth as original stem.
5. Replace 6-32 button head retention screw, using 1/16" hex wrench.

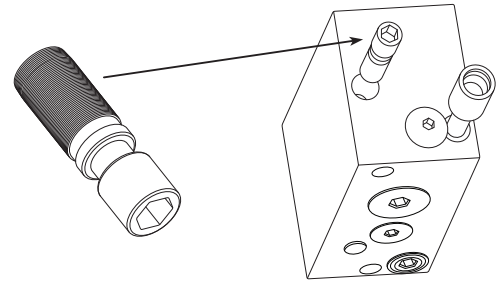


Removal and installation of DCI drive air adjustment Stem

1. Remove existing Century Plus® drive air adjustment screw from Century Plus® block, using 3/32" hex wrench. Be sure all components of screw have been removed.

Important:

2. Before moving to next step - clean the Century Plus® block drive air bore of all corrosion and debris including supply ports in block - otherwise new DCI valve may not function properly.
3. Assemble DCI drive air adjustment into cleaned block turning valve with 3/32" hex wrench clockwise until approximate depth of previous assembly is reached.

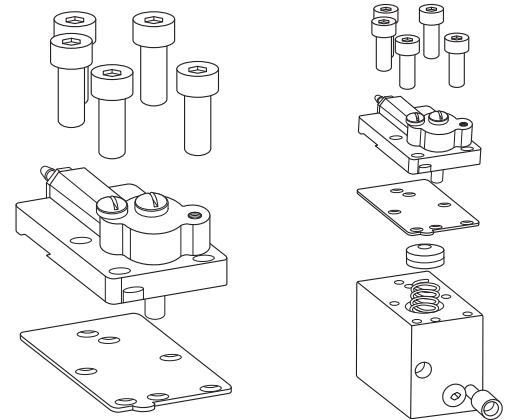


Removal and installation of DCI Century Plus® block cap assembly and all related items

1. Remove existing holder tubing attached to single barb on rear of cap. Remove Century Plus® cap by removing the 5 cap head retaining screws using 3/32" hex wrench. Be sure all components of cap and piston have been removed. Identify single cap screw that is longer. This screw must be used in same location when reassembling.

Important:

2. Before moving to next step - clean the Century Plus® block cap surface of all corrosion and debris including supply ports in block - otherwise new DCI cap assembly may not function properly.
3. Be sure the small washers are in place and the flat head screws are tight in the top of the cap.
4. Assemble DCI spring and plunger into block. Assemble diaphragm onto cap assembly utilizing alignment cogs as well as orientation indicator (bump) on both the cap and diaphragm. Lower cap assembly with diaphragm onto plunger and attach with 5 original cap screws using 3/32" hex wrench - be sure to tighten in sequence to lessen the chance of diaphragm leakage - Do not over tighten cap screws.
5. Reattach holder tubing to single barb on cap.

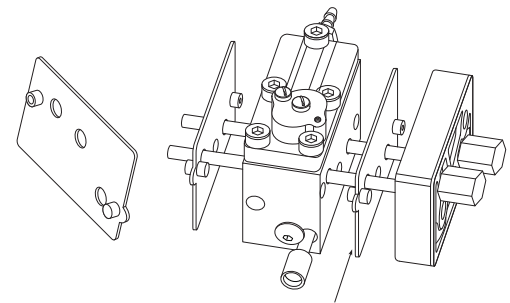


Removal and installation of DCI Century Plus® block gasket

1. Remove existing Century Plus® clear or white block gasket from Century Plus® block, using open ended wrench and removing nuts retaining block assembly.

Important:

2. Before moving to next step - clean the Century Plus® block surfaces and all related ports of all corrosion and debris - otherwise new DCI gasket may not function properly.
3. Assemble white DCI gasket onto cleaned block using orientation (bump) - placing toward the water flow adjustment. Also use the protrusions on the gasket to help orient gasket during assembly. Thread retaining nuts back onto threaded shaft and tighten with open ended wrench.
4. **NOTE: Only use the included red gasket if the original block contained a red block gasket.**



Existing Gasket

Block testing.

By completing these steps the Century Plus® is now ready for pressure testing.

Turn on all pressure supplying devices. Remove appropriate handpiece from holder, activate foot control and verify handpiece function as well as water coolant to handpiece. Hang up handpiece in holder, check that holdback function is operating, activate foot control, there should be no flow of air or water to handpiece. Verify no leakage of air or water of replaced components. System is now ready for use.

A-dec® and Century Plus® are registered trademarks of A-dec, Inc. DCI has no affiliation with A-dec and A-dec has not authorized DCI replacement parts to be used on or in connection with A-dec® products.

