

LFII LIGHT REFLECTOR BUSHING

Installation Instructions



REQUIRED TOOLING

1. Phillips screw driver
2. 5/8" wrench
3. 3/32" Allen tool

INSTALLATION

1. Disconnect power supply to unit.
2. Remove four #8 x 3/4" Phillips oval head screws from backside to loosen yoke cap. Set aside screws.
3. Remove yoke cap and set aside.
4. Locate and remove wire nuts inside yoke body. Set wire nuts aside.
5. Disconnect wiring and pull from yoke frame.
6. Lift light head out of yoke.
7. Depress hinge pin to open back side of light head. Instead of screws the glass guard may be secured with e-clips on steel pins.

Note: For some versions, remove two #6 x 7/16" Phillips round head screws and lock washers hinging glass guard on left hand side and set aside.

8. Remove hex socket set screw on each side of the yoke frame. Remove threaded pivot on each side.

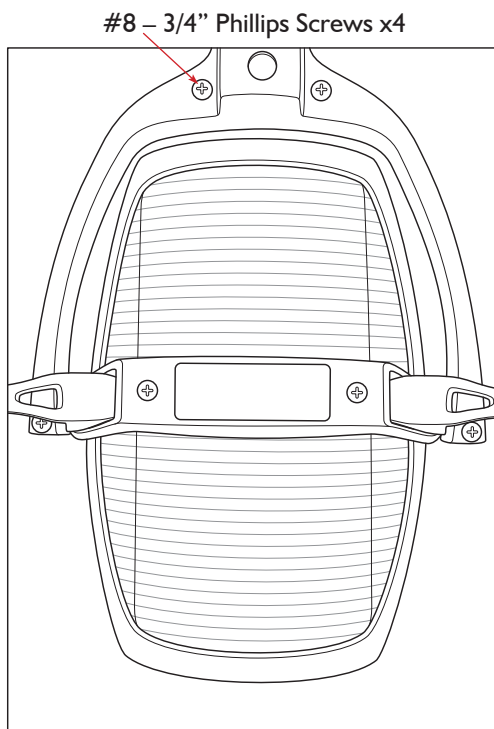


Figure 1

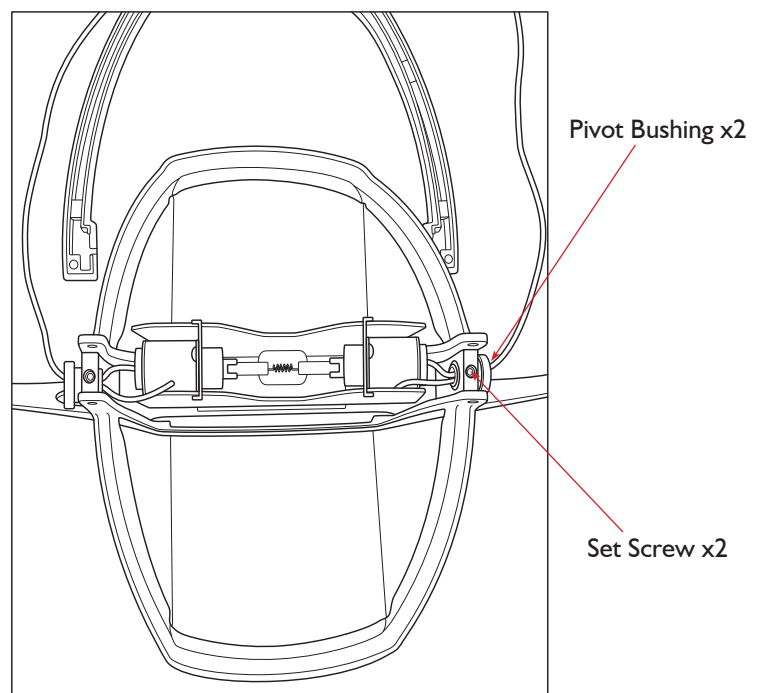


Figure 2

9. Install new DCI bushings, use a 5/8" wrench as necessary and leave 1 - 2 threads visible.
10. Wipe inside of yoke frame and cap to remove any lubricant. Any lubricant will reduce the friction load required for normal operational positioning.
11. The pivots should be adjusted to have an interference fit between the inside of the pivot and the yoke frame. This fit provides the friction necessary for the light head to maintain position and not rotate freely. The following adjustment procedure uses a ridge on the yoke as a reference point for positioning the pivot:
 - a. Position pivot in yoke frame in side A (Figure 3).
 - b. On side B, line up inside edge of pivot with outside edge of ridge on yoke frame (Figure 3).
 - c. Adjust pivot on side B by ¼ turns to ensure a flat in the threads for the set screw to seat on.
12. Replace the set screws. Take care not to over tighten set screws.
13. Replace hinge screws (or steel pin and secure with e-clip).
14. Close back of light head. Depress hinge pin to secure.
15. Reposition light head in yoke frame. Verify snug fit.
16. Channel the wires in yoke frame. Caution: wires must be inside yoke frame or it may be pinched when installing the yoke cap.
17. Reconnect wires from light head and the switch wires.
18. Replace screws to secure yoke cap.

