

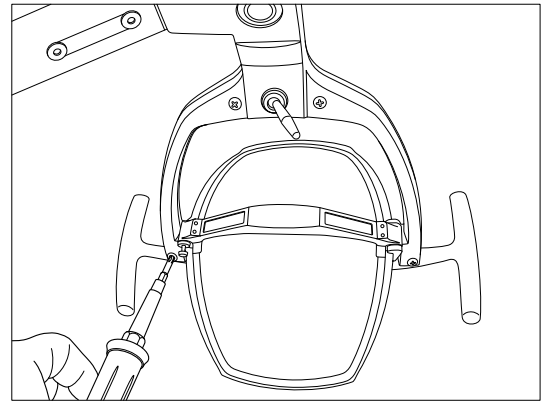
**REPLACEMENT PELTON
& CRANE LIGHT SPRING**
Installation Instructions

TOOLS NEEDED FOR INSTALLATION

- Hammer
- Center Punch
- #2 Phillips Screwdriver
- Standard Hex Key Set
- Pelton & Crane LF Spring Tool (DCI PN 8697)

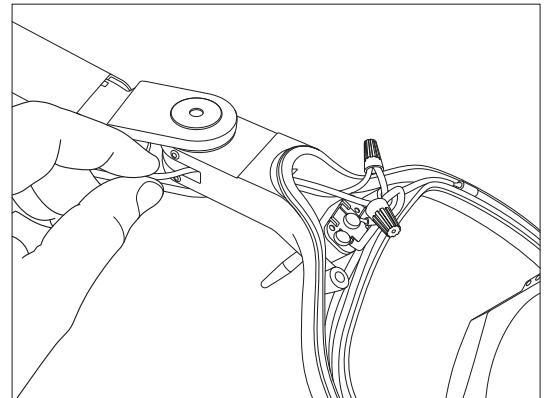
1 Disconnect power to light.

2 Remove the 4 screws retaining the Yoke cover.



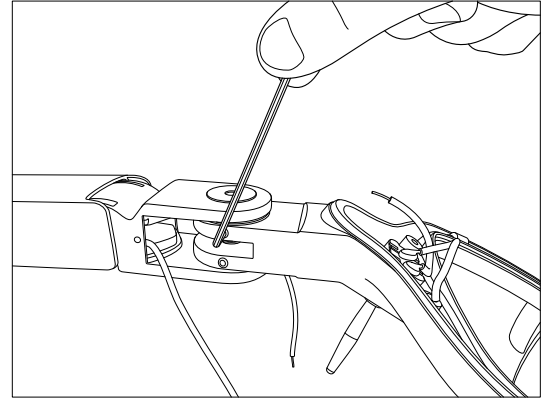
3 Disconnect the 2 wire nuts.

4 Pull the wires from the light head from behind the knuckle.

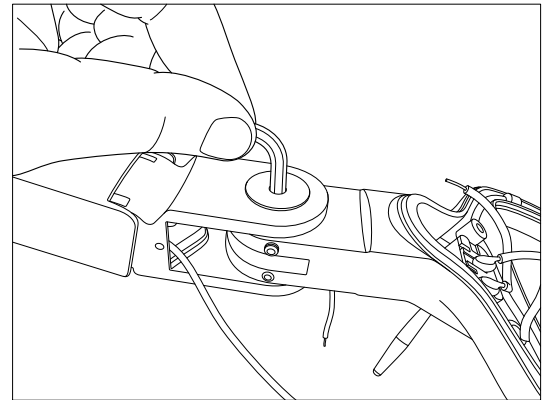


- 5** Back out the 2 set screws on the side of the knuckle that retain both the top and bottom snubbing pins.

Note: On track light versions disconnect the wiring from the dimmer switch on the down tube. On wall mount versions the nuts are located under the cap on the top of the back knuckle of the flex arm.

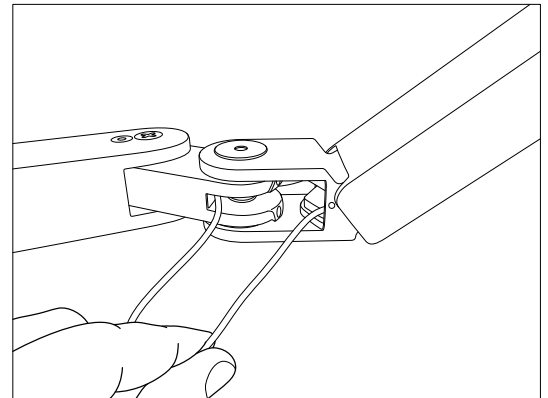


- 6** Unscrew the bottom and top snubbing pins. Be sure to hold light head during removal.

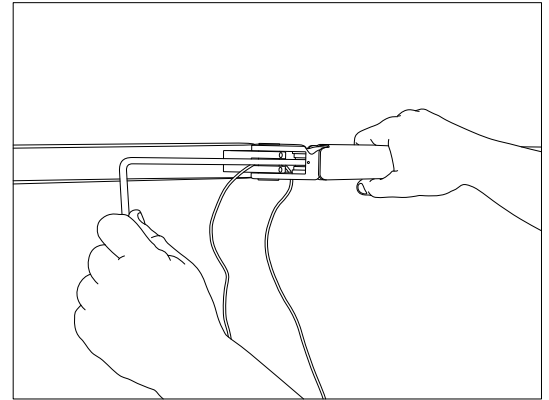


- 7** Pull out the wiring from the back side of the flex arm. Do not remove the wires from the transformer side.

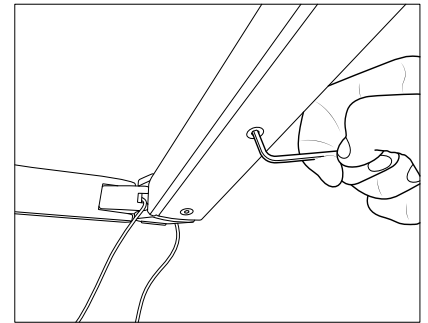
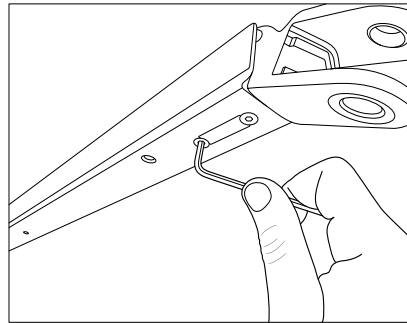
Note: Inspect the wires for any damage from use. Replace if needed.



- 8** Relieve tension on backside of the flex arm with the Pelton & Crane Spring Tool, DCI PN 8697. Do not back the screw all the way out, only until the tension is relieved from the spring.



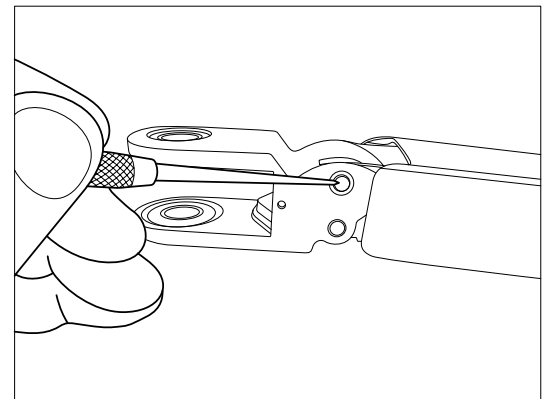
- 9** Remove the 4 Flat head screws on the bottom side of the flex arm.



- 10** Slide back the flex arm housing towards the transformer side exposing the front knuckle pins.

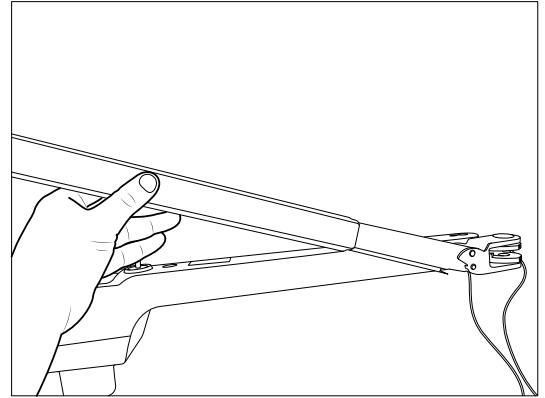
- 11** Drive out the top pin retaining the knuckle to the spring brackets.

Note: Pin has one end that is flat, push out from that side first.



- 12** Once the pin is out, the front knuckle can be removed.

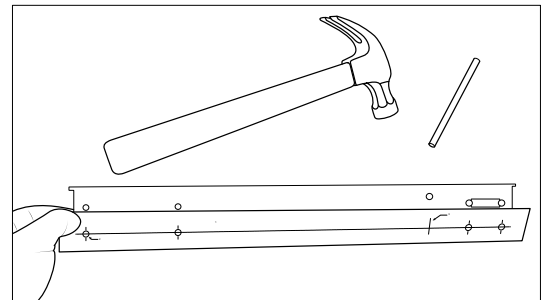
- 13** Slide flex arm housing off spring or gas assembly.



- 14** Remove the lower pin that is retaining the spring assembly, driving the flat side out first.

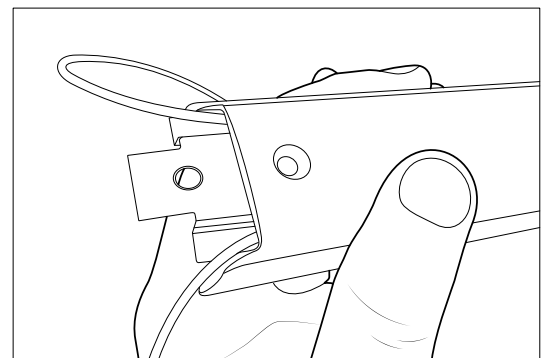
- 15** Install the new spring assembly onto the lower knuckle.

- 16** If the light was equipped with the older Gas spring you will need to drill a hole in the bottom of the flex arm housing with the template provided.



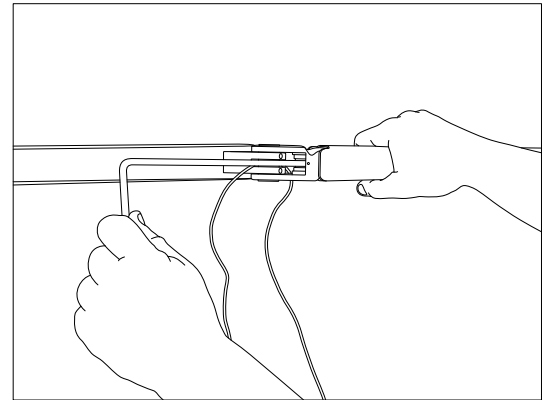
- 17** Install the flex arm housing over the new spring assembly.

Note: Route the wires under the lower aluminum plate to prevent damage.



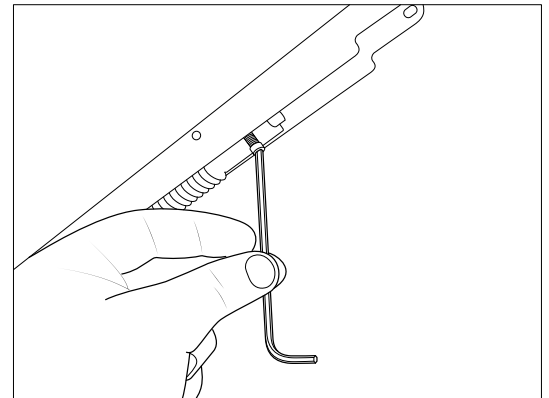
18 Reverse remaining assembly steps.

19 Adjust the spring counterbalance with the Pelton & Crane Spring Tool, DCI PN 8697 in the back of the flex arm. The light head should be balanced without dropping or raising on its own.



20 Pull the arm to the horizontal position. Once the tension screw lines up with the drilled hole insert a 9/64 hex wrench to adjust drag.

Note: Do not overtighten screw or damage can occur.



21 Double check all screws, wire nuts and covers are back in place.

22 Restore power to the light and turn on. Move the light into various positions to check for any wire routing issues.



305 N. Springbrook Rd.,
Newberg, OR 97132 USA

1.800.624.2793
503.538.8343

www.dcionline.com

92623, Rev. A, 2/15