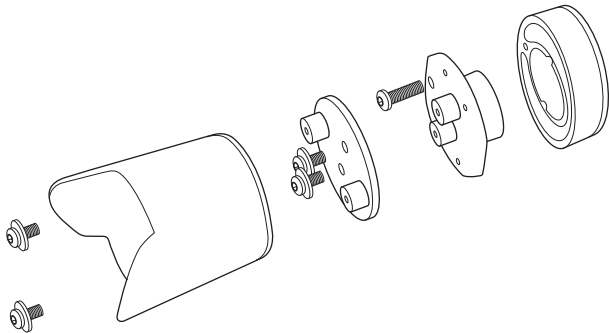


Nosepiece to fit A-dec® 6300 Light Shield

Installation Instructions

DCI



A-dec® is a registered trademark of A-dec, Inc. DCI has no affiliation with A-dec and A-dec has not authorized DCI replacement parts to be used on or in connection with A-dec® products.



92823, Rev. C, 2021-02-04

www.dcionline.com
800-624-2793



DCI International, LLC
305 N. Springbrook Road
Newberg, OR 97132, USA