



OPERATORY EQUIPMENT

The DCI Reliance Line includes delivery systems, LED operator lights & stools. Upgrade your Doctor's equipment without the expense of a new chair.



2-3

Dental Stools



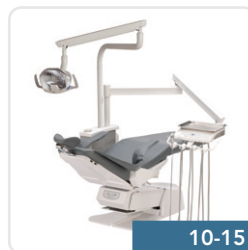
4-5

Reliance LED
Dental Lights



8-9

Reliance Swing Mount
Delivery Systems



10-15

Reliance OTP
Delivery Systems



16 - 17

Reliance
Cart Systems



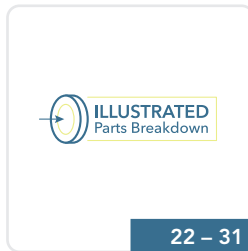
18 - 19

Alternative
Delivery Systems



20 - 21

Specialty Units



22 - 31

Dimensions & Illustrated
Parts Breakdown

Reliance Dental Stools



Reliance Dental Stools

S - Standard Features <input type="checkbox"/> - Choose Your Option		Part Number	Retail Price	TOTAL
Step 1 Choose Your Stool				
<input type="checkbox"/>	Doctor's Stool	SDR051	\$605.00	
<input type="checkbox"/>	Assistant's Stool with Body Support and Footring	SAR051	\$825.00	
			Sub-total	
			QTY	
			TOTAL	
			Choose Upholstery	

Non-Standard Upholstery Colors Up Charge, Per Stool
 Naugasoft Upholstery - Specify Color - Stools \$30.00
 Ultraleather Upholstery - Specify Color - Stools \$60.00

*Allow 8 weeks for delivery

Step 2 Choose Your Upholstery Color		
	Stools	
	Doctor's	Assistant's
Naugasoft	No Charge	No Charge
Black Satin	<input type="checkbox"/> SDR-013	<input type="checkbox"/> SAR-013
Cabernet	<input type="checkbox"/> SDR-018	<input type="checkbox"/> SAR-018
Cocoa	<input type="checkbox"/> SDR-014	<input type="checkbox"/> SAR-014
Deep Sea	<input type="checkbox"/> SDR-017	<input type="checkbox"/> SAR-017
Fawn	<input type="checkbox"/> SDR-015	<input type="checkbox"/> SAR-015
Lake Louise	<input type="checkbox"/> SDR-016	<input type="checkbox"/> SAR-016
Feather	<input type="checkbox"/> SDR-019	<input type="checkbox"/> SAR-019
Ultraleather	\$110 Up Charge	\$110 Up Charge
Apricot	<input type="checkbox"/> SDR-009	<input type="checkbox"/> SAR-009
Arctic	<input type="checkbox"/> SDR-029	<input type="checkbox"/> SAR-029
Baltic	<input type="checkbox"/> SDR-006	<input type="checkbox"/> SAR-006
Bayou	<input type="checkbox"/> SDR-027	<input type="checkbox"/> SAR-027
Cashmere	<input type="checkbox"/> SDR-024	<input type="checkbox"/> SAR-024
Cave	<input type="checkbox"/> SDR-028	<input type="checkbox"/> SAR-028
Charcoal	<input type="checkbox"/> SDR-002	<input type="checkbox"/> SAR-002
Chianti	<input type="checkbox"/> SDR-020	<input type="checkbox"/> SAR-020
Curry	<input type="checkbox"/> SDR-023	<input type="checkbox"/> SAR-023
Diplomat Blue	<input type="checkbox"/> SDR-005	<input type="checkbox"/> SAR-005
Eucalyptus	<input type="checkbox"/> SDR-021	<input type="checkbox"/> SAR-021
Fudge	<input type="checkbox"/> SDR-007	<input type="checkbox"/> SAR-007
Granite	<input type="checkbox"/> SDR-032	<input type="checkbox"/> SAR-032
Green Tea	<input type="checkbox"/> SDR-026	<input type="checkbox"/> SAR-026
Lemon	<input type="checkbox"/> SDR-010	<input type="checkbox"/> SAR-010
Mica	<input type="checkbox"/> SDR-025	<input type="checkbox"/> SAR-025
Papyrus	<input type="checkbox"/> SDR-004	<input type="checkbox"/> SAR-004
Parrot	<input type="checkbox"/> SDR-011	<input type="checkbox"/> SAR-011
Pelican	<input type="checkbox"/> SDR-003	<input type="checkbox"/> SAR-003
Pewter	<input type="checkbox"/> SDR-031	<input type="checkbox"/> SAR-031
Plum	<input type="checkbox"/> SDR-034	<input type="checkbox"/> SAR-034
Raven Wing	<input type="checkbox"/> SDR-001	<input type="checkbox"/> SAR-001
Riveria	<input type="checkbox"/> SDR-022	<input type="checkbox"/> SAR-022
Shetland	<input type="checkbox"/> SDR-030	<input type="checkbox"/> SAR-030
Silver Pearl	<input type="checkbox"/> SDR-033	<input type="checkbox"/> SAR-033

Upholstery Up Charge	
Sub-total	
QTY	
TOTAL	

LED Post Mount Light

**LED Technology
at an
Affordable Price**



Post Mount Light
RP4000 (White)

Features	Reliance
LED Technology	X
3rd Axis Head Rotation	X
Reflective Technology	X
Dual Touch Controls	X
Offered in Gray or White	X
3" X 6" Light Pattern	X
5000K Color Temperature	X

		Part Number	Color	Retail Price	TOTAL
Choose Light Configuration					
Post Mount LED Light					
<input type="checkbox"/>	Post Mount Reliance LED Light 115V	<input type="checkbox"/> RP4000	White	\$2,430.00	
		<input type="checkbox"/> RP4050	Gray	\$2,430.00	
<input type="checkbox"/>	24" Light Post Extension w/ Clamp & Cord	<input type="checkbox"/> 8921	White	\$180.00	
		<input type="checkbox"/> 8969	Gray	\$180.00	
				QTY	
				TOTAL	

LED Lamp-24Volt, 10 Watts · Input Voltage - 115V, 50Hz · Light Intensity (Lux), 35,000 to 17,500 · Focal Length - 27"

Upgrade Your Office Without the Expense of a new Chair

**Replacement Swing
Mount Delivery System-
an industry first!**

**Compatible with
New & Existing Chairs!**

- A-dec® Cascade® 1040
- A-dec® Priority 1005
- A-dec® Decade® 1021
- Belmont® X-Calibur B-20, B-50
- Belmont® Acutrac B-99, S-99
- DCI Equipment 1235
- Healthco® Celebrity
- Marus® DC1490, DC1690, DC1700, DC1702
- Pelton & Crane® 1500, 1800, 2000, 3000



*(Delivery System shown with
A-dec® chair & DCI Reliance light)*

A-dec®, Cascade® and Decade® are registered trademarks of A-dec, Inc. DCI has no affiliation with A-dec and A-dec has not authorized DCI replacement parts to be used on or in connection with A-dec® products.



Available in Gray or White to Match Existing Equipment



(Delivery System shown with Belmont® chair & DCI Reliance light)

DCI's Reliance Delivery System
offers a **Left/Right &
Post Mount Configuration**

Reliance Swing Mount Delivery Systems



S - Standard Features - Choose Your Option

Part Number

Retail Price

TOTAL

Step 1 Choose Your Delivery System & Color

Swing Mount Auto Dental Unit and Light Pole Complete Steps 1 thru 5	<input type="checkbox"/>	RS4000	White	\$5,060.00	
	<input type="checkbox"/>	RS4050	Gray	\$5,060.00	
Swing Mount Auto Dental Unit Complete Steps 1, 2, 3 & 5	<input type="checkbox"/>	RS4001	White	\$4,510.00	
	<input type="checkbox"/>	RS4051	Gray	\$4,510.00	
Swing Mount Light Pole Only Complete Steps 1, 4 & 5	<input type="checkbox"/>	RS4002	White	\$990.00	
	<input type="checkbox"/>	RS4052	Gray	\$990.00	
Side Delivery Auto Dental Unit w/ Mount Complete Steps 1,2 & 6	<input type="checkbox"/>	RW4000	White	\$3,520.00	
	<input type="checkbox"/>	RW4050	Gray	\$3,520.00	



**Standard
Configuration**



POSITION: 0 1 2 3

Step 2 Configure Your Control Head

(All tubings are Gray. If nothing is selected highlighted positions will be used)		Part Number	Handpiece Positions					Retail Price	TOTAL
			0	1	2	3	4		
<input checked="" type="checkbox"/>	DCI Precision Comfort Syringe and tubing							N/C	
<input checked="" type="checkbox"/>	HP Tubing 4 Hole Asepsis							N/C	
<input type="checkbox"/>	HP Tubing ISO 5 Hole Power Optic & Bulb (Requires Light Source Sys)	8933L						\$241.00	
<input type="checkbox"/>	HP Tubing ISO-C 6 Pin Power Optic (Requires Light Source Sys)	8996						\$173.00	
<input type="checkbox"/>	Delete HP Position 3	4344						-\$54.00	
<input type="checkbox"/>	Add HP Position (Position 4) Includes Block, Water Valve, Holder & HP Tubing	4467 White/ 4468 Gray						\$170.00	
<input type="checkbox"/>	Deluxe Single HP Light Source System	8404						\$122.00	
<input type="checkbox"/>	Deluxe Three HP Light Source System w/ Transformer	8353						\$422.00	
<input type="checkbox"/>	Sub chassis for accessory integration	4230						\$60.00	
<input checked="" type="checkbox"/>	Stainless Steel Tray and Non-Skid Pad							Included	
<input checked="" type="checkbox"/>	Wet/Dry Foot Control							Included	
<input checked="" type="checkbox"/>	Handpiece Flush							Included	
<input type="checkbox"/>	Add scaler / chip air button on foot control	4346						\$60.00	

Step 3 Configure Your Poles and Utilities

		Part Number	Retail Price	TOTAL
Step 3A Configure Your Water System				
<input checked="" type="checkbox"/>	Self-Contained Water System w/ Quick Switch 2L Bottle		Included	
<input type="checkbox"/>	Delete Self Contained Water System and Bottle	4350	-\$190.00	
Step 3B Configure your Junction Box and Utilities				
<input checked="" type="checkbox"/>	6' Umbilical Tubing		Included	
<input type="checkbox"/>	Additional umbilical Length Per Foot, includes sheath tubing - Qty____	R24962A	\$30.00	
<input checked="" type="checkbox"/>	Asepsis Utility Center and Valves		Included	
<input type="checkbox"/>	Delete Asepsis Utility Center and Valves	4347	-\$310.00	

Step 4 Configure Your Light

<input checked="" type="checkbox"/>	No Light On Unit		N/C	
<input type="checkbox"/>	Flat Panel Monitor Top Mount (White) (In place of light)	4924	\$340.00	
<input type="checkbox"/>	Flat Panel Monitor Top Mount (Gray) (In place of light)	4824	\$340.00	
<input type="checkbox"/>	Post Mount Series 4 LED Light (White) (Requires Light Post 4768)	RP4000	\$2,430.00	
<input type="checkbox"/>				
<input type="checkbox"/>	Light Post White With P&C Bushing , 24"	R4768	\$160.00	
<input type="checkbox"/>	Post Mount Series 4 LED Light (Gray) (Requires Light Post 4766)	RP4050	\$2,430.00	
<input type="checkbox"/>				
<input type="checkbox"/>	Light Post Gray With P&C Bushing , 24"	4766	\$160.00	

Step 5 Configure Your Chair Mount Adapter

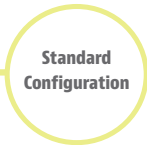
<input type="checkbox"/>	To Fit A-dec® Cascade® 1040	R4489	\$309.00	
<input type="checkbox"/>	To Fit A-dec® Priority 1005 & 1010	R4498	\$309.00	
<input type="checkbox"/>	To Fit A-dec® Decade® 1020, 1021 & 1015	R9246	\$309.00	
<input type="checkbox"/>	To Fit Belmont Bel 20/50/Celebrity	R4492	\$309.00	
<input type="checkbox"/>	To Fit Belmont AcuTrac	R4501	\$309.00	
<input type="checkbox"/>	To Fit Marus DC1490, DC1690, DC1700, DC1702	R4491	\$309.00	
<input type="checkbox"/>	To Fit Pelton 1500, 1800, 2000, 3000 , 1700	R4489	\$309.00	
<input type="checkbox"/>	To Fit DCI Equipment 1235	R4491	\$309.00	
			Sub-total	
			QTY	
			TOTAL	

Reliance Post Mount Delivery Systems

- Upgrade your delivery system without the expense of a new chair.
- The Reliance Delivery System is designed to mount to most dental chairs.



<input checked="" type="checkbox"/> S - Standard Features	<input type="checkbox"/> - Choose Your Option	Part Number	Retail Price	TOTAL
Step 1 Choose Your Delivery System & Color				
Over the Patient Dental Unit with Cuspidor & PMU Complete Steps 1 thru 4	<input type="checkbox"/>	RO4100	White	\$4,335.00
	<input type="checkbox"/>	RO4150	Gray	\$4,335.00
Over the Patient Dental Unit with PMU Complete Steps 1 thru 5	<input type="checkbox"/>	RO4000	White	\$3,790.00
	<input type="checkbox"/>	RO4050	Gray	\$3,790.00
Over the Patient Dental Unit Only Complete Steps 1, 2, 3C, 4 & 5	<input type="checkbox"/>	RO4001	White	\$3,510.00
	<input type="checkbox"/>	RO4051	Gray	\$3,510.00
Post Mount Utilities (PMU) with Cuspidor Complete Steps 3 thru 5	<input type="checkbox"/>	RO4102	White	\$1,700.00
	<input type="checkbox"/>	RO4152	Gray	\$1,700.00



POSITION: 0 1 2 3 4

		Part Number	Handpiece Positions					Retail Price	TOTAL
			0	1	2	3	4		
<input checked="" type="checkbox"/> S	DCI Precision Comfort Syringe and tubing							N/C	
<input checked="" type="checkbox"/> S	HP Tubing 4 Hole Asepsis							N/C	
<input type="checkbox"/>	HP Tubing ISO 5 Hole Power Optic & Bulb (Requires Light Source System)	8933L						\$241.10	
<input type="checkbox"/>	HP Tubing ISO-C 6 Pin Power Optic (Requires Light Source System)	8996						\$173.10	
<input type="checkbox"/>	Delete HP Position 3	4344						-\$54.40	
<input type="checkbox"/>	Add HP Position (Position 4) Includes Block, Water Valve, Holder & HP Tubing	4467 White/ 4468 Gray						\$170.00	
<input type="checkbox"/>	Deluxe Single HP Light Source System w/ Transformer	8404						\$122.00	
<input type="checkbox"/>	Deluxe Three HP Light Source System w/ Transformer	8353						\$422.00	
<input type="checkbox"/>	Sub chassis for accessory integration	4230						\$60.00	
<input checked="" type="checkbox"/> S	Stainless Steel Tray and Non-Skid Pad							Included	
<input checked="" type="checkbox"/> S	Wet/Dry Foot Control							Included	
<input checked="" type="checkbox"/> S	Hand-Piece Flush							Included	
<input type="checkbox"/>	Add scaler / chip air button to foot control	4346						\$60.00	



Step 3 Choose Post Mounted Utility Center Options

	Part Number	Retail Price	TOTAL
Step 3A Assistant's Package			
<input type="checkbox"/> White Telescoping Arm w/ 4 Position Holder, 1 Syringe, 1 HVE & 1 SE	R52906W	\$495.00	
<input type="checkbox"/> Gray Telescoping Arm w/ 4 Position Holder, 1 Syringe, 1 SE & 1 HVE	R52906G	\$495.00	
<input type="checkbox"/> Additional Extended Vacuum Valve and Tubing	R52892G	\$70.10	
<input type="checkbox"/> Autoclavable Dry Oral Cup	5840	\$11.40	
Step 3B Water System			
S Self Contained Water System with 2 Liter Bottle		Included	
<input type="checkbox"/> Delete Self Contained Water System and Bottle	4350	-\$190.00	
S Air QD and Water QD with flow control		Included	
<input type="checkbox"/> Delete Air QD and Water QD with flow control	R4352	-\$135.00	
Step 3C Junction Box and Utilities (Not available on DO4001 and DO4051)			
S 6' Umbilical Tubing		Included	
<input type="checkbox"/> Additional umbilical Length Per Foot, includes sheath tubing - Qty___	R24875A	\$30.00	
S Asepsis Utility Center and Valves		Included	
<input type="checkbox"/> Delete Asepsis Utility Center and Valves	4347	-\$310.00	

Step 4 Configure Your Light

			N/C
S No Light On Unit			
<input type="checkbox"/> Post Mount Reliance LED Light (White) (Requires Light Post 4042)	RP4000	\$2,430.00	
<input type="checkbox"/> Light Post White With P&C Bushing , 30"	4042	\$170.00	
<input type="checkbox"/> Post Mount Reliance LED Light (Gray) (Requires Light Post 4767)	RP4050	\$2,430.00	
<input type="checkbox"/> Light Post Gray With P&C Bushing , 30"	R4767	\$170.00	

Step 5 Choose a Chair Mount Adapter

<input type="checkbox"/> To Fit A-dec® Cascade® 1040	8522	\$309.00	
<input type="checkbox"/> To Fit A-dec® Priority 1005 & 1010	8515	\$309.00	
<input type="checkbox"/> To Fit A-dec® Decade® 1020, 1021 & 1015	8500	\$309.00	
<input type="checkbox"/> To Fit A-dec 500®	8538	\$309.00	
<input type="checkbox"/> To Fit Belmont Bel 20,50/Celebrity/Westar 2001 & 5000/LSM DC-1000 & C0H0	8493	\$309.00	
<input type="checkbox"/> To Fit Belmont AcuTrac	8917	\$309.00	
<input type="checkbox"/> To Fit DentalEZ E3000	8552	\$309.00	
<input type="checkbox"/> To Fit DentalEZ Advantage E2000	8919	\$309.00	
<input type="checkbox"/> To Fit Marus Pro/DCI Equipment	8561	\$309.00	
<input type="checkbox"/> To Fit Pelton Spirit/Schein Empire	8918	\$309.00	
<input type="checkbox"/> To Fit Royal	8497	\$309.00	
		Sub-total	
		QTY	
		TOTAL	

*Call Customer Service for Adapters not listed

A-dec®, Cascade®, Decade®, and A-dec 500® are registered trademarks of A-dec, Inc. DCI has no affiliation with A-dec and A-dec has not authorized DCI replacement parts to be used on or in connection with A-dec® products.

Reliance Automatic Arm Mounted Delivery System



MANUAL UNIT AVAILABLE UPON REQUEST

Shown w/ optional top post mount adapter 8923

Thru Post Mount 4477 & 4478 (standard configuration)

GRAY | WHITE

DIMENSIONS PAGE 25 **PAGE 27** **ILLUSTRATED Parts Breakdown**

4477	4478	Arm Mounted Automatic Control for 3 HP.....	\$1,955.00
8956	8923	Top Post Mount Adapter.....	\$154.50
	8035	Touch-Up Paint.....	\$40.00

- Smooth lines for easy cleaning
- Automatic control for 3 handpieces
- Flex arm system mounts on 2" post
- Individual drive air & water coolant controls
- Stainless steel tray (PN 8013) & holder (PN 4280)
- Includes 8 Conductor Low Voltage Electrical Cable
- Precision Comfort™ Syringe
- Wet/Dry foot control
- Optional storage area for high-tech accessories
- Available in left or right hand configuration
- 7 ft. of 5/8" Umbilical
- Specify tubing color & type

S - Standard Features - Choose Your Option

Part Number Retail Price TOTAL

Step 1 Choose Your Delivery System & Color

Reliance Arm Mounted Delivery System	<input type="checkbox"/>	4478	White	\$1,955.00	
Reliance Arm Mounted Delivery System	<input type="checkbox"/>	4477	Gray	\$1,955.00	



Standard Configuration



POSITION: 0 1 2 3

Step 2 Choose Your Control Head Options

<i>(All tubings are Gray. If nothing is selected - highlighted positions will be used)</i>		Part Number	Handpiece Positions					Retail Price	TOTAL
			0	1	2	3	4		
S	DCI Precision Comfort Syringe and tubing							N/C	
S	HP Tubing 4 Hole Asepsis							N/C	
<input type="checkbox"/>	HP Tubing ISO 5 Hole Power Optic & Bulb (Requires Light Source Sys)	8933L						\$241.00	
<input type="checkbox"/>	HP Tubing ISO-C 6 Pin Power Optic (Requires Light Source Sys)	8996						\$173.00	
<input type="checkbox"/>	Delete HP Position 3	4344						-\$54.00	
<input type="checkbox"/>	Add HP Position (Position 4) Includes Block, Water Valve, Holder & HP Tubing	4467 White/ 4468 Gray						\$170.00	
<input type="checkbox"/>	Deluxe Single HP Light Source System w/ Transformer	8404						\$122.00	
<input type="checkbox"/>	Deluxe Three HP Light Source System w/ Transformer	8353						\$422.00	
<input type="checkbox"/>	Sub chassis for accessory integration	4230						\$60.00	
S	Stainless Steel Tray and Non-Skid Pad							Included	
S	Wet/Dry Foot Control							Included	
S	Hand-Piece Flush							Included	
<input type="checkbox"/>	Add scaler / chip air button to foot control	4346						\$60.00	
S	50" Flex Arm for 2" Post w/ Air Brake							Included	

Step 3 Choose Your Options

	Part Number	Retail Price	TOTAL
<input type="checkbox"/>	White Wall Mount Bracket	8647	\$160.00
<input type="checkbox"/>	Gray Wall Mount Bracket	8349	\$160.00
<input type="checkbox"/>	40" Chair Mount Post w/ P&C Bushing SST	8444	\$300.00
<input type="checkbox"/>	White Top Post Mount Adapter	8923	\$154.50
<input type="checkbox"/>	Gray Top Post Mount Adapter	8956	\$154.50

Step 4 Choose Utility Center Options

Step 4A Water System			
<input type="checkbox"/>	Self Contained Water System with 2 Liter Bottle & 2" Post Clamp	8928	\$318.00
Step 4B Junction Box and Utilities			
<input type="checkbox"/>	Utility Center w/ White Box & Regulators	8329	\$438.00

Step 5 Choose a Chair Mount Adapter

<input type="checkbox"/>	To Fit A-dec® Cascade® 1040	8522	\$309.00
<input type="checkbox"/>	To Fit A-dec® Priority 1005 & 1010	8515	\$309.00
<input type="checkbox"/>	To Fit A-dec® Decade® 1020, 1021 & 1015	8500	\$309.00
<input type="checkbox"/>	To Fit A-dec 500®	8538	\$309.00
<input type="checkbox"/>	To Fit Belmont Bel 20,50/Celebrity/Westar 2001 & 5000/LSM DC-1000 & C0H0	8493	\$309.00
<input type="checkbox"/>	To Fit Belmont AcuTrac	8917	\$309.00
<input type="checkbox"/>	To Fit DentalEZ E3000	8552	\$309.00
<input type="checkbox"/>	To Fit DentalEZ Advantage E2000	8919	\$309.00
<input type="checkbox"/>	To Fit Marus Pro/DCI Equipment	8561	\$309.00
<input type="checkbox"/>	To Fit Pelton Spirit/Schein Empire	8918	\$309.00
<input type="checkbox"/>	To Fit Royal	8497	\$309.00
			Sub-total
			QTY
			TOTAL

*Call Customer Service for Adapters not listed

Reliance Cabinet or Wall Mounted Automatic Delivery System



COMPACT HEAD
11 3/4" W x 11" D

4470



4278
*Wall mount
adapter included*

PAGE 27  **ILLUSTRATED**
Parts Breakdown

DIMENSIONS
PAGE 25

PN 4470	Automatic Control for 3 HP.....	\$935.00
PN 8035	Touch-Up Paint (White).....	\$40.00

- Smooth lines for easy cleaning
- Individual drive air & water coolant controls
- Precision Comfort™ Syringe
- Optional storage area for high-tech accessories
- Wet/Dry foot control
- 6 ft. of 5/8" Umbilical
- Specify tubing color & type

MANUAL UNIT AVAILABLE UPON REQUEST



S - Standard Features	<input type="checkbox"/> - Choose Your Option	Part Number	Retail Price	TOTAL
Step 1 Choose Your Delivery System & Color				
Reliance Cabinet Mounted Delivery System	<input type="checkbox"/>	4470	White	\$935.00

Standard Configuration



POSITION: 0 1 2 3

Step 2 Choose Your Control Head Options									
(All tubings are Gray. If nothing is selected - highlighted positions will be used)		Part Number	Handpiece Positions					Retail Price	TOTAL
			0	1	2	3	4		
S	DCI Precision Comfort Syringe and tubing							N/C	
S	HP Tubing 4 Hole Asepsis							N/C	
<input type="checkbox"/>	HP Tubing ISO 5 Hole Power Optic & Bulb (Requires Light Source Sys)	8933L						\$241.00	
<input type="checkbox"/>	HP Tubing ISO-C 6 Pin Power Optic (Requires Light Source Sys)	8996						\$173.00	
<input type="checkbox"/>	Delete HP Position 3	4344						-\$54.00	
<input type="checkbox"/>	Add HP Position (Position 4) Includes Block, Water Valve, Holder & HP Tubing	4467 White						\$170.00	
<input type="checkbox"/>	Deluxe Single HP Light Source System w/ Transformer	8404						\$122.00	
<input type="checkbox"/>	Deluxe Three HP Light Source System w/ Transformer	8353						\$422.00	
<input type="checkbox"/>	Sub chassis for accessory integration	4230						\$60.00	
S	Stainless Steel Tray and Non-Skid Pad							Included	
S	Wet/Dry Foot Control							Included	
S	Hand-Piece Flush							Included	
<input type="checkbox"/>	Add scaler / chip air button to foot control	4346						\$60.00	

Step 3 Choose Your Water System			
<input type="checkbox"/>	Self Contained Water System with 2 Liter Bottle-Cabinet Mount	8184	\$255.00
		Sub-total	
		QTY	
		TOTAL	

Reliance Cart Systems



S - Standard Features - Choose Your Option

Part Number

Retail Price

TOTAL

Step 1 Choose Your Cart System

Cart System with 3 Auto HP	<input type="checkbox"/>	R4511	White	\$2,640.00	
Cart System with 3 Auto HP and Assistant's Instruments	<input type="checkbox"/>	R4540	White	\$2,958.00	
Operator Support Cart w/ U-Frame	<input type="checkbox"/>	R4227	White	\$1,015.00	
Operator Support Cart w/ H-Frame	<input type="checkbox"/>	R4228	White	\$1,015.00	
Operator Support Cart w/ Assistant's Pkg, U-Frame	<input type="checkbox"/>	R4220	White	\$1,595.00	
Operator Support Cart w/ Assistant's Pkg, H-Frame	<input type="checkbox"/>	R4221	White	\$1,595.00	



Standard Configuration



POSITION: 0 1 2 3

Step 2 Choose Your Control Head Options

<i>(All tubings are Gray. If nothing is selected - highlighted positions will be used)</i>		Part Number	Handpiece Positions					Retail Price	TOTAL
			0	1	2	3	4		
S	DCI Precision Comfort Syringe and tubing							N/C	
S	HP Tubing 4 Hole Asepsis							N/C	
<input type="checkbox"/>	HP Tubing ISO 5 Hole Power Optic & Bulb (Requires Light Source Sys)	8933L						\$241.00	
<input type="checkbox"/>	HP Tubing ISO-C 6 Pin Power Optic (Requires Light Source Sys)	8996						\$173.00	
<input type="checkbox"/>	Delete HP Position 3	4344						-\$54.00	
<input type="checkbox"/>	Add HP Position (Position 4) Includes Block, Water Valve, Holder & HP Tubing	4467 White						\$170.00	
<input type="checkbox"/>	Deluxe Single HP Light Source System w/ Transformer	8404						\$122.00	
<input type="checkbox"/>	Deluxe Three HP Light Source System w/ Transformer	8353						\$422.00	
S	Stainless Steel Tray and Non-Skid Pad							Included	
S	Wet/Dry Foot Control							Included	
S	Hand-Piece Flush							Included	
<input type="checkbox"/>	Add scaler / chip air button to foot control	4346						\$60.00	
<input type="checkbox"/>	Storage Well w/ Organizer (Operator Support Carts Only)	8400						\$270.00	

Step 3 Configure Options & Utilities

		Part Number	Retail Price	TOTAL
Step 3A Configure Your Water System				
S	Self Contained Water System with 2L Bottle		Included	
<input type="checkbox"/>	Delete Self Contained Water System and Bottle	4350	-\$190.00	
Step 3B Configure your Junction Box and Utilities				
S	7' Umbilical Tubing		Included	
<input type="checkbox"/>	Additional umbilical Length Per Foot, includes sheath tubing - Qty____	R24962A	\$30.00	
S	Asepsis Utility Center and Valves (On 4511 & 4540 Only)		Included	
<input type="checkbox"/>	Delete Asepsis Utility Center and Valves	4347	-\$310.00	
			Sub-total	
			QTY	
			TOTAL	

Alternative Arm-Mounted Delivery System



4376

PN 4376	Arm-Mounted Automatic Control for 3 Handpieces.....	\$1,795.00
PN 4128	Arm-Mounted Manual Control 4120 for 1 Wet & 1 Dry Handpiece.....	\$1,535.00
PN 4129	Arm-Mounted Manual Control 4121 for 2 Wet Handpieces.....	\$1,615.00
PN 8923	Top Post Mount Adapter (White).....	\$154.50
PN 8035	Touch-Up Paint (White).....	\$40.00

- Automatic control for 3 handpieces or manual control for 2 handpieces
- Flex arm system mounts on 2" post
- Individual drive air & water coolant controls
- Instrument tray holder
- Precision Comfort® Syringe
- Wet/Dry foot control (4376 only)
- Dimensions: Horizontal reach 62 3/4" Fully closed: 30 3/4"L x 21 1/4" W
- 7 ft. of 5/8" Umbilical
- Specify tubing color & type

PAGE 28 ILLUSTRATED Parts Breakdown

Alternative Cabinet or Wall Mounted Automatic Delivery System



PN 4370	Alternative Automatic Control for 3 Handpieces.....	\$775.00
----------------	---	-----------------

- Individual drive air & water coolant controls
- Multiple mounting options (refer to pages 87-89)
- Precision Comfort® Syringe
- Wet/Dry foot control
- Dimensions: 12" x 8" x 5"
- 6 ft. of 1/2" Umbilical
- Specify tubing color & type

PAGE 28 ILLUSTRATED Parts Breakdown

Alternative Cabinet or Wall Mounted Manual Delivery System



4120

PN 4120	Manual Control for 1 Wet & 1 Dry Handpiece.....	\$525.00
PN 4121	Manual Control for 2 Wet Handpieces.....	\$570.00

- Manual control for 2 handpieces
- Precision Comfort® Syringe
- Disc type foot control
- Multiple mounting options (refer to pages 87-89)
- Dimensions: 10" x 3" x 4"
- 6 ft. of 1/2" Umbilical
- Specify tubing color & type



Panel & Horizontal Surface Mount Automatic Unit for 3 Handpieces

PAGE 30 ILLUSTRATED
Parts Breakdown

PN 4415	Panel-Mount Automatic Control.....	\$845.00
PN 4416	Horizontal-Mount Automatic Control.....	\$1,010.00
PN 4445	Optional Swing Arm Holder Bar.....	\$140.00



- Individual drive air & water coolant controls
- Precision Comfort® Syringe
- Wet/Dry foot control
- Control dimensions: 8 1/2" x 1 3/4" x 5"
- Cut-out dimensions: 7 1/2" x 1 1/2"
- Horizontal system can be mounted to top or bottom of surface
- Specify tubing color & type



Panel & Horizontal Surface Mount Manual Unit for 2 Handpieces

PAGE 31 ILLUSTRATED
Parts Breakdown

PN 4400	Panel-Mount Manual Control for 1 Wet & 1 Dry Handpiece.....	\$545.00
PN 4401	Horizontal-Mount Manual Control for 1 Wet & 1 Dry Handpiece.....	\$610.00
PN 4445	Optional Swing Arm Holder Bar.....	\$140.00



- Individual drive air & water coolant controls
- Precision Comfort® Syringe
- Wet/Dry foot control
- Control dimensions: 8 1/2" x 1 3/4" x 5"
- Cut-out dimensions: 7 1/2" x 1 1/2"
- Horizontal system can be mounted to top or bottom of surface
- Specify tubing color & type





DCI III Manual Unit

PN 4502 DCI III Manual Unit.....\$490.00

- Two HP manual selection for 1 Wet & 1 Dry Handpiece
- Precision Comfort® Syringe
- 6 ft. 1/2" Umbilical
- Specify tubing color & type



DCI II Manual Unit

PN 4102 DCI II Manual Unit.....\$440.00

- Two HP manual selection for 1 Wet & 1 Dry Handpiece
- Precision Comfort® Syringe
- Dimensions: 6" x 4 1/4" x 2 1/4"
- 6 ft. 1/2" Umbilical
- Specify tubing color & type



Air & Water Auxiliary Q.D. Panel

PN 6559 Gray Auxiliary Panel.....\$180.30

PN 6569 White Auxiliary Panel.....\$180.30

- 1/4" Water quick connect w/ flow control
- Dimensions: 3" x 4"
- 3/8" Air quick connect w/ on/off switch
- Available in white or gray



Pelton & Crane Executive Conversion Kit

PN 4446 Executive Conversion Kit.....\$2,730.00

- Precision Comfort™ Premium Autoclavable Vacuum Valves include two 5512 HVEs & one 5222 SE
- Includes 8323 utility center
- Automatic handpiece holders w/ manual lockout toggle
- Variable speed disc-type foot control w/ wet/dry toggle
- Precision Comfort® three-way syringe
- Dimensions: 12 1/2" x 18" x 4 1/2"
- 6 ft. Umbilical



Laboratory Handpiece Control Kit

PN 4198 Laboratory Handpiece Control Kit.....\$168.00

- Requires air only
- 4-hole handpiece tubing 432T
- Handpiece holder & bar 5910 & 5929
- Economy foot control 6301
- Air regulator w/ gauge 7220 & 7260



Alternative Controls

	Arm Mounted			Cabinet Mounted			Specialty Units		
	4376	4128	4129	4370	4120	4121	4502	4102	4446
	\$1,795	\$1,535	\$1,615	\$775	\$550	\$590	\$490	\$440	\$2,730
STANDARD FEATURES									
Automatic Controls for 3 Handpieces	•			•					•
Manual Control for 2 Handpieces (1 wet & 1 dry)		•			•		•	•	
Manual Control for 2 Handpieces (2 wet)			•			•			
Wet/Dry Foot Control	•			•					•
Economy Foot Control		•	•		•	•	•	•	
Precision Comfort® Syringe	•	•	•	•	•	•	•	•	•
Individual Non Retracting Water Coolant	•	•	•	•	•	•	•	•	•
50" Flex Arm for 2" Post w/ Air Brake	•	•	•						
Cabinet Mount				•	•	•	•	•	•
OPTIONS									
	PN	PRICE							
Wall Mount Bracket	8647	\$160.00	•	•	•				
40" Chair Mount Post w/ P&C Bushing	8444	\$300.00	•	•	•				
White Top Post Mount Adapter	8923	\$154.50	•	•	•				
CHAIR ADAPTERS *Refer to Mounts, Arms & Holders section for complete listing*									
Belmont Bel 20	8493	\$309.00	•	•	•				
A-dec® Priority	8515	\$309.00	•	•	•				
Pelton & Crane® 1500/Marus Empire	8918	\$309.00	•	•	•				
LIGHT SOURCE SYSTEMS *Refer to Handpiece Accessories Tab for complete listing*									
ISO 5-Hole Economy HP Illumination System	8801	\$300.00	•	•	•	•	•	•	•
ISO 6-Pin Economy HP Illumination System	8791	\$240.00	•	•	•	•	•	•	•
CONTROL OPTIONS									
Delete Handpiece Position	4344	-\$54.40	•			•			•
Delete Syringe, Tubing & Holder	4345	-\$105.80	•	•	•	•	•	•	•
Add Chip Air or Scaler Button on Foot Control	4346	\$65.00	•			•			•
ACCESSORIES *Refer to DCI Catalog for complete regulator & water system options*									
Utility Center w/ Gray Box & Regulators	8321	\$400.00	•	•	•	•	•	•	
2-Liter Standard Water System Cabinet Mount	8144	\$160.00	•	•	•	•	•	•	•
2-Liter Deluxe Water System Cabinet Mount	8143	\$190.00	•	•	•	•	•	•	•
750ml Standard Water System Cabinet Mount	8145	\$156.00	•	•	•	•	•	•	•
750ml Deluxe Water System Cabinet Mount	8139	\$185.00	•	•	•	•	•	•	•
Adapter for 2" Post, White Powder Coat	8162	\$64.00	•	•	•				



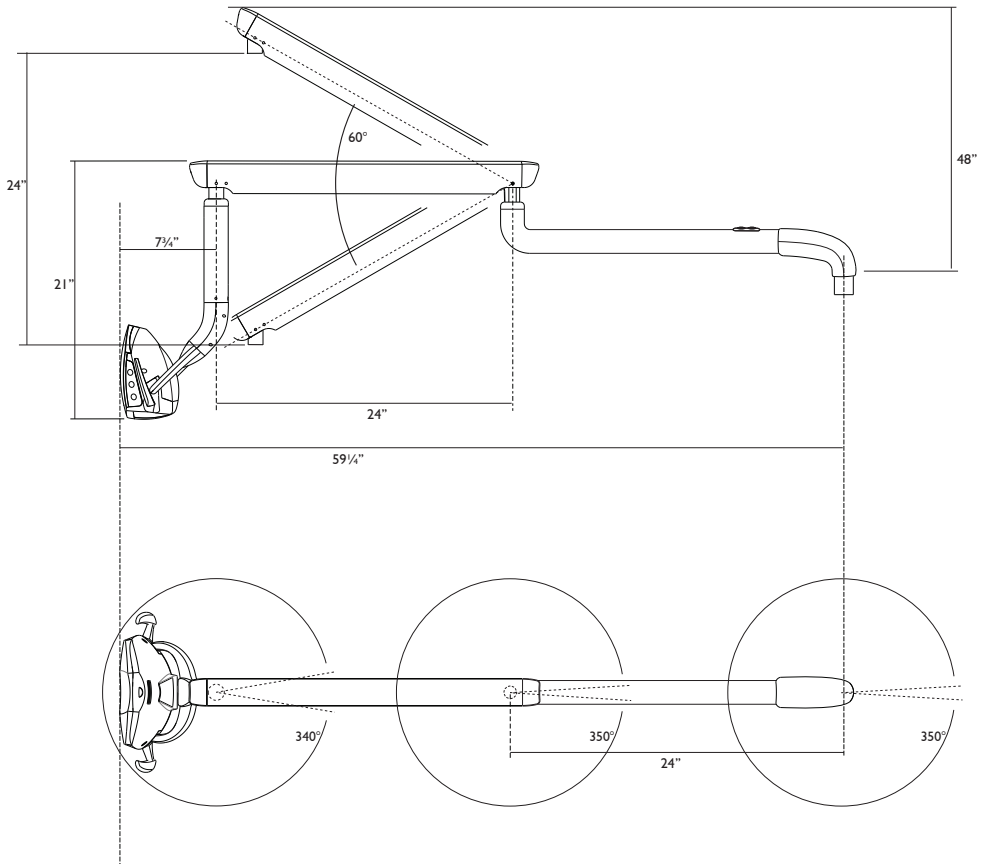
TECH TIP

TROUBLE SHOOTING A UNIT?

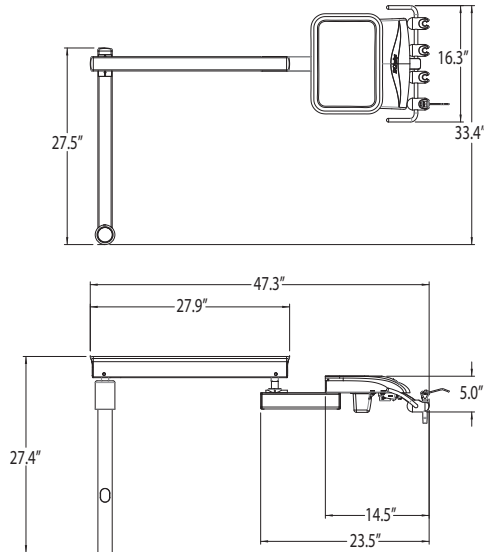
Find videos for diagnosing slow handpieces, combo valve & shut off block repair, needle valve & cartridge valve adjustment at the DCI Video Library!

A-dec® is a registered trademark of A-dec, Inc. DCI has no affiliation with A-dec and A-dec has not authorized DCI replacement parts to be used on or in connection with A-dec® products.

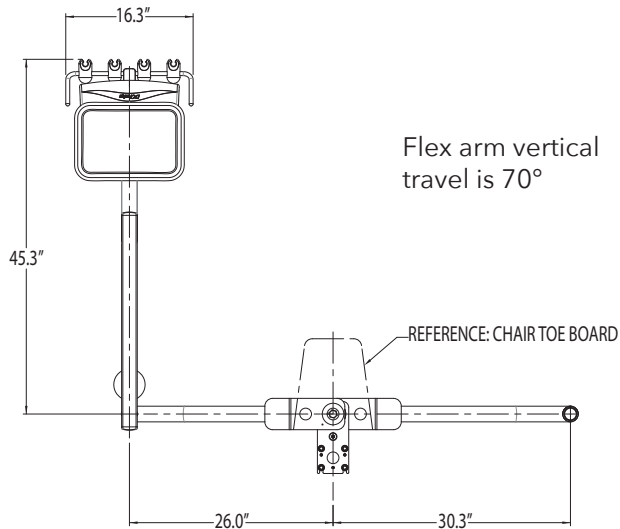
Reliance LED Operatory Post Mount Light



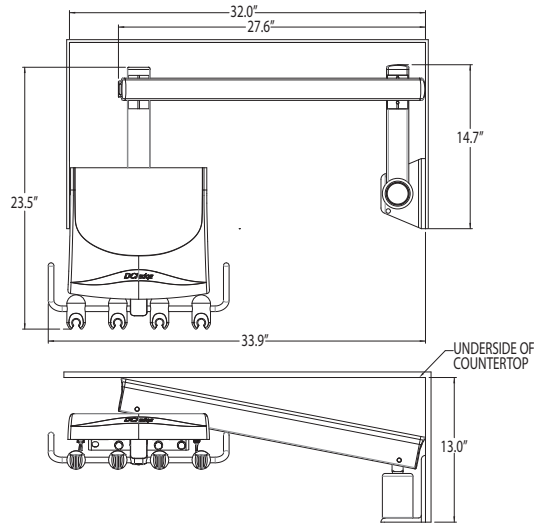
Reliance Over the Patient Automatic Delivery System



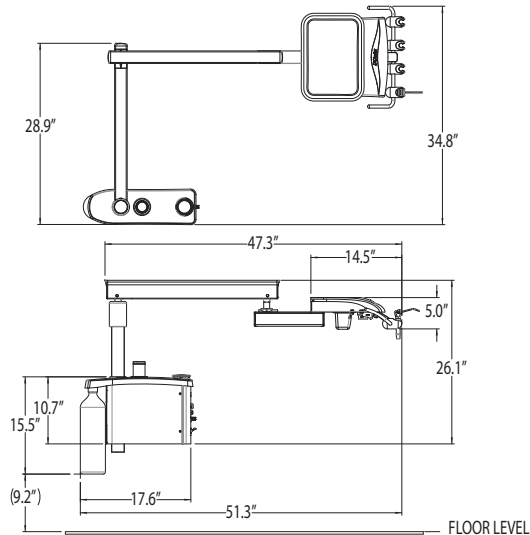
Reliance Swing Mount Pole w/ Automatic Delivery System & Light Pole



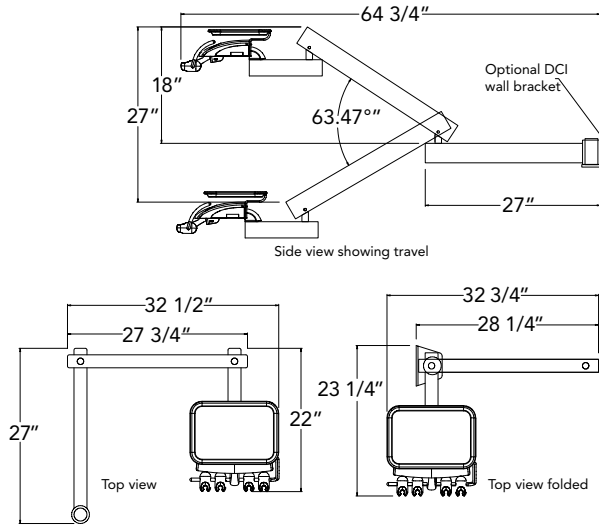
Reliance Side Delivery Automatic Delivery System w/ Mount



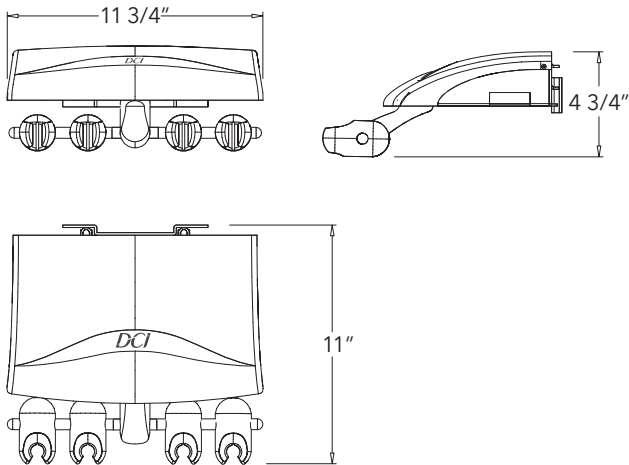
Reliance Over the Patient Automatic Delivery System w/ PMU & Assistant's Package



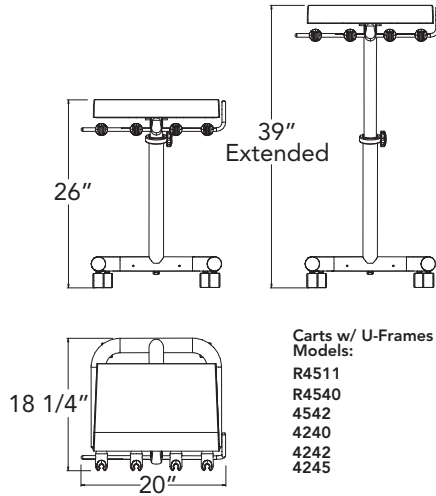
Reliance Arm Mounted Automatic Control 4477 & 4478



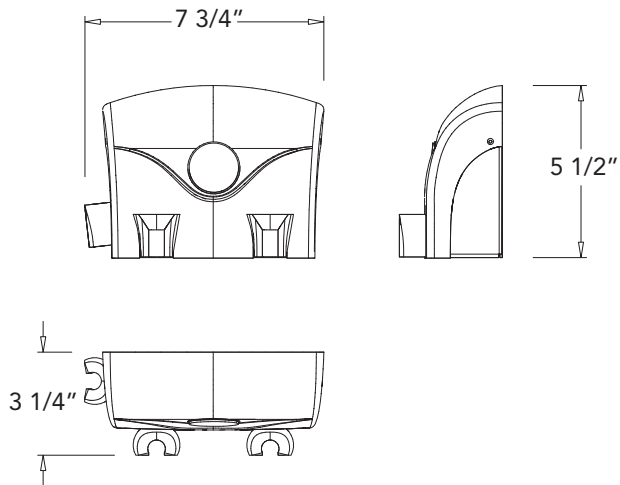
Reliance Automatic Control 4470



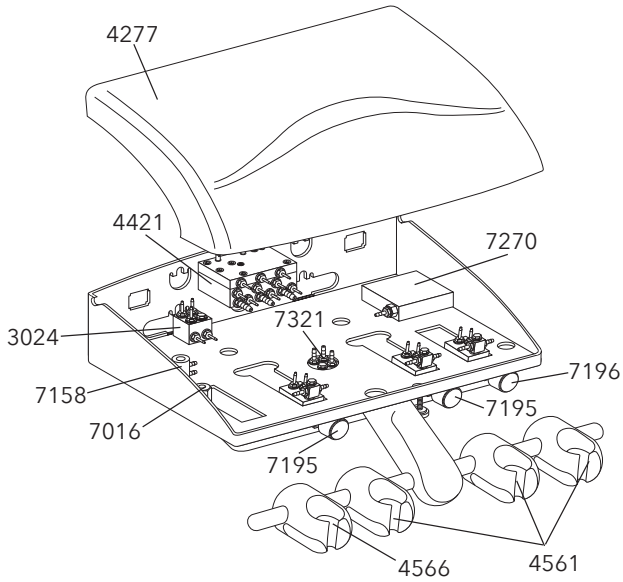
Reliance Automatic Cart



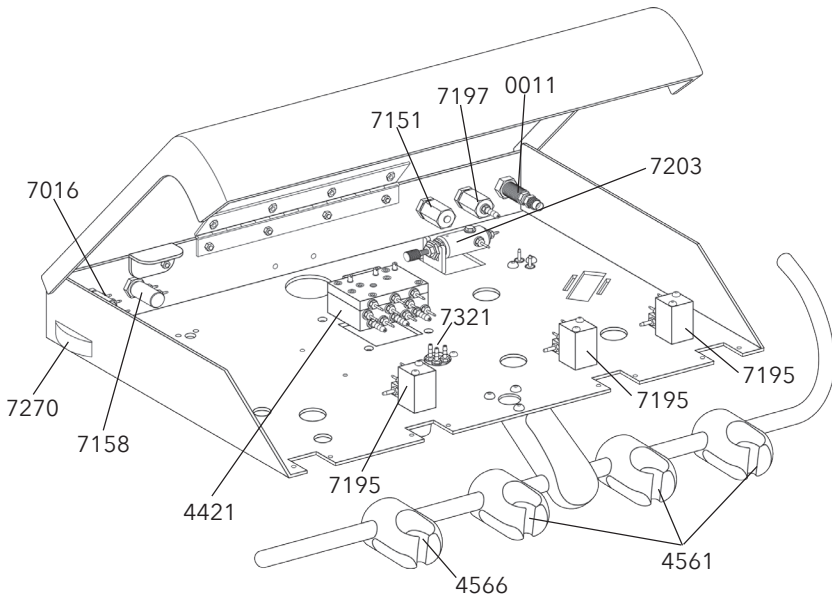
DCI III Manual Unit 4502



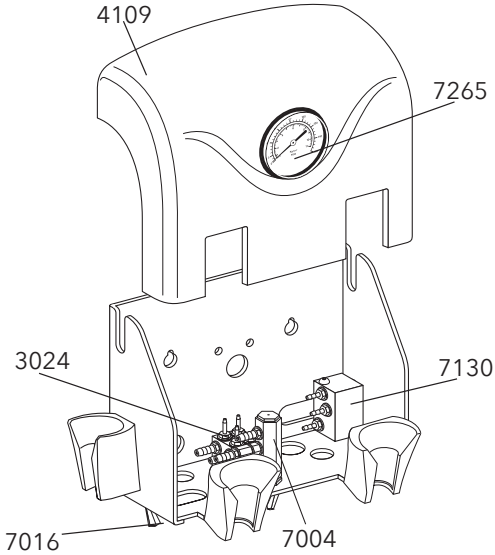
Reliance Automatic Control



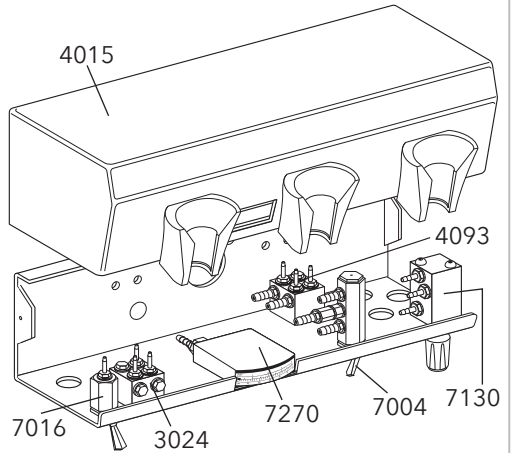
Reliance Automatic Cart Unit R4511, R4540 & R4542



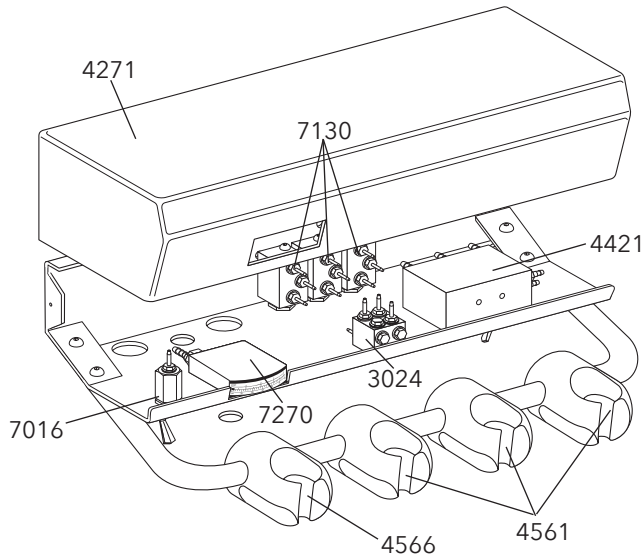
DCI III Manual Unit 4502



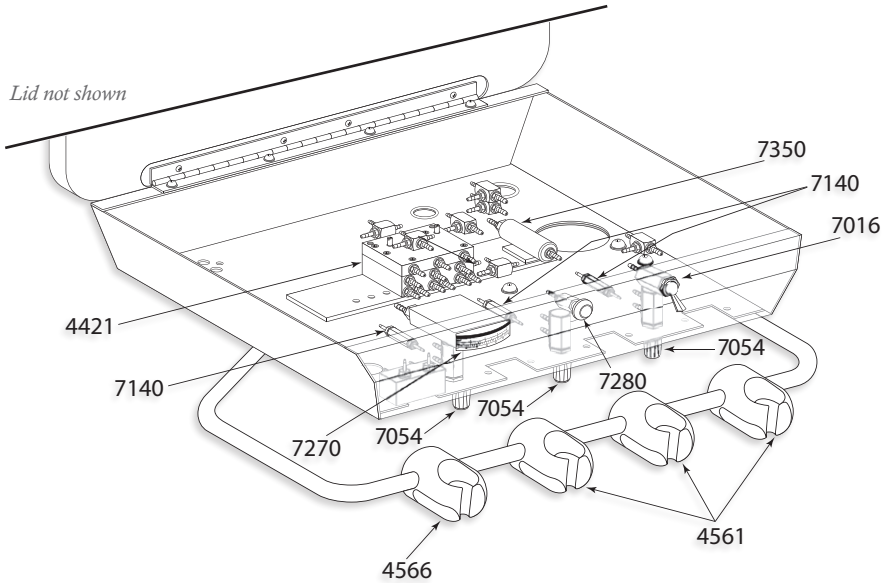
Alternative Manual Control 4120 & 4121



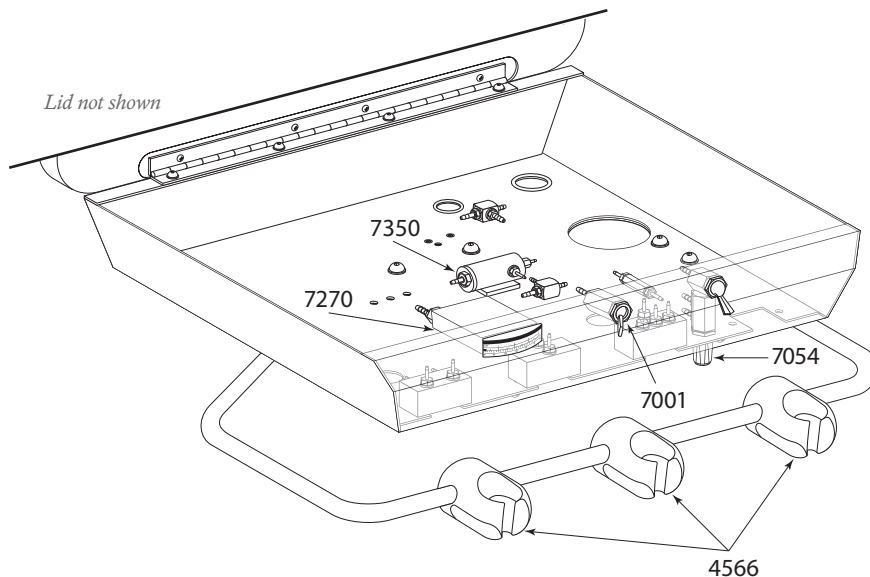
Alternative Automatic Control 4370



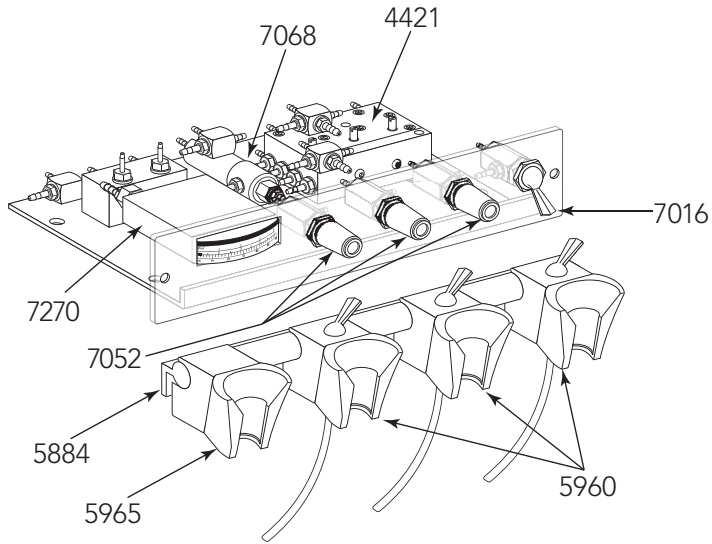
Alternative Automatic Cart 4411, 4440 & 4442



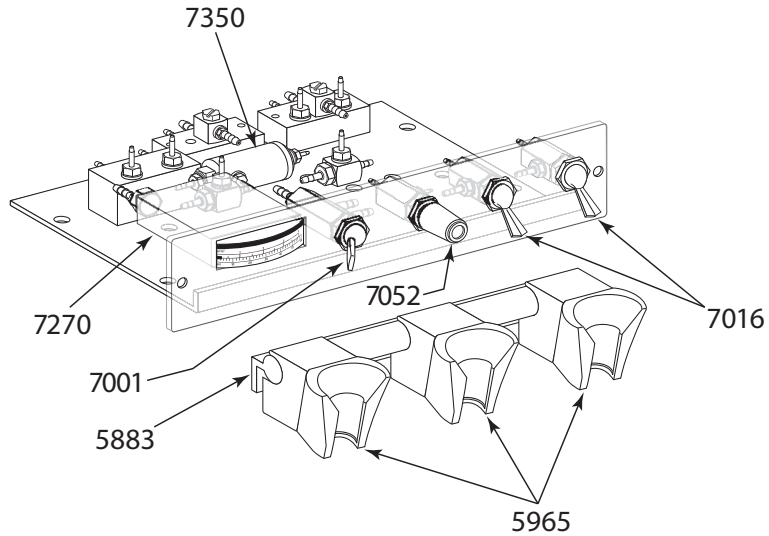
Alternative Manual Cart 4145, 4140 & 4142



Panel & Horizontal Surface Mount Control 4415 & 4416



Panel & Horizontal Surface Mount Control 4400 & 4401



STANDARD UPHOLSTERY COLORS

Ultraleather (24)

Chianti 020	Apricot 009	Lemon 010	Parrot 011	Eucalyptus 021	Riviera 022
Curry 023	Cashmere 024	Mica (Pearlized) 025	Green Tea (Pearlized) 026	Cyan 012	Bayou 027
Cave 028	Papyrus 004	Arctic 029	Shetland 030	Baltic 006	Diplomat Blue 005
Raven Wing 001	Charcoal 002	Pewter (Pearlized) 031	Granite 032	Silver Pearl 033	Plum 034

NaugaSoft (7)

Black Satin 013	Cocoa 014	Fawn 015	Lake Louise 016	Deep Sea 017	Cabernet 018	Feather 019
-----------------	-----------	----------	-----------------	--------------	--------------	-------------

DCI

800-624-2793 | www.dcionline.com