

SERIES 4 AUTOMATIC UNIT 4470

Installation and Operating Instructions

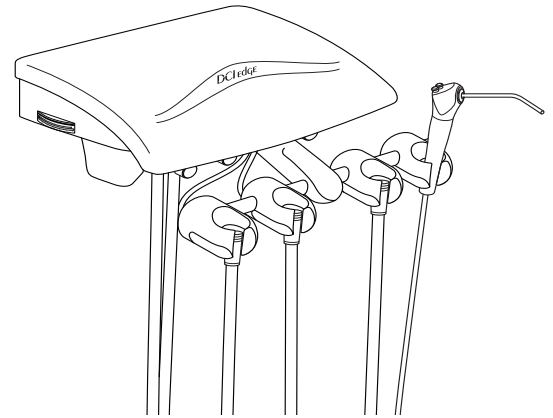


Package contains:

- Automatic control unit with handpiece tubing and umbilical tubing
- Precision Comfort syringe
- Wet/Dry foot control
- Syringe repair kit

Tools needed:

- 1/4" and 1/8" sleeve tool
- Screwdriver or other appropriate hand tool for wall fastener



INSTALLATION INSTRUCTIONS

1. **Cover:** Remove the screw retaining the cover to the chassis-located on the underside front using a 5/32" hex key. Lift cover up and remove from rear hinge.
2. **Bracket:** Install wall bracket using the two outside holes on a surface that will support the weight of the unit using appropriate fasteners for the material unit is being mounted to. See Figure 1.
3. **Umbilical tubing:** Run unit umbilical tubings into junction box. Connect proper tubings to utility center:
 - 1/8" Red - Water supply
 - 1/8" Clear - Unregulated air supply
 - 1/8" Yellow - Signal air to shut-off blocks
 - 1/4" Gray - Regulated drive air/air coolant
 - 8 conductor low voltage power cord - as needed
4. **Water and Air Supply:** Open the manual shut-off valves in the utility center. Adjust regulated air to 80 psi and regulated water to 40 psi. When adjusting for a lower pressure, make the adjustment, and then press the syringe button to relieve the pressure to get an accurate pressure reading.

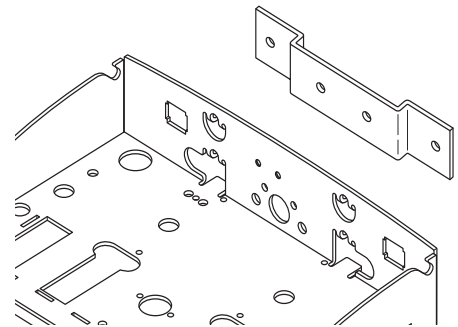
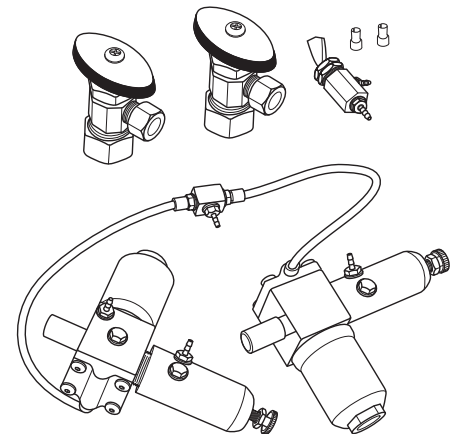


FIGURE 1



STEPS 3 - 4 UTILITY CENTER NOT INCLUDED

OPERATING INSTRUCTIONS AND UNIT FEATURES

HANDPIECE HOLDERS

The asepsis handpiece holders are designed to resist chemical discoloration and be easy to clean. The handpiece is activated when removed from the holder and stepping on the foot control disc. The positions of the individual handpiece holders are adjustable; loosen the set screws, move the instrument holder to the desired location, and retighten the screws. You will need a 1/8" hex key. See Figure 2.

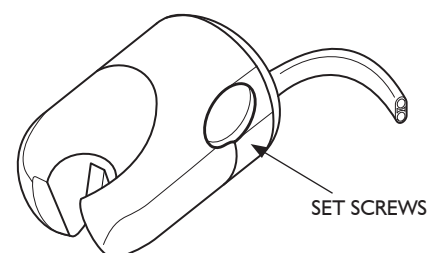


FIGURE 2

CONTROLS

The *master on-off toggle* controls air and water to the entire system. It is located on the underside of the control unit, on the left. The *water coolant flow control knobs* control water to a specific handpiece and are located on the underside of the control unit, near the front. The *handpiece flush toggle* is located on the underside of the control unit on the left of the unit - used to flush handpieces. The *drive air pressure gauge* indicates the operating pressure of the selected handpiece. It is located on the right side of the control unit chassis. The *drive air adjustment screws* are located on the inside of the control unit, in the back. To gain access- remove screw retaining cover using a 3/32" hex driver- lift cover up and remove from rear hinge. Handpiece drive air pressure should be adjusted to the handpiece manufacturer's recommendation. See Figure 3.

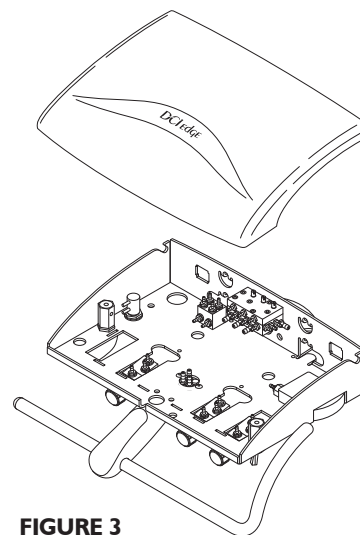
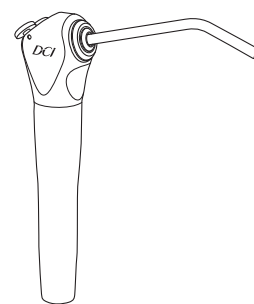


FIGURE 3

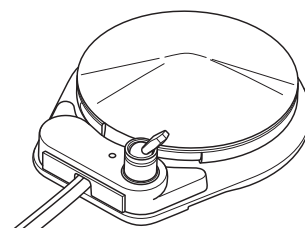
SYRINGE

The #4470 comes with a Precision Comfort syringe. The syringe is packaged in a shipping envelope, with operating instructions and a repair kit attached. The syringe goes in the holder on the far left side of the instrument holder bar. Adjustment screws for the air and water flow to the syringe are located on the underside of the control unit, in the rear left area. Use the 3/32" hex driver provided with the unit to turn the hex screws counter-clockwise to increase the flow of air or water, clockwise to decrease the flow.



FOOT CONTROL

The foot control is equipped with a wet/dry toggle. When the toggle is positioned toward the blue dot, water will be provided to the active handpiece. With the toggle positioned away from the blue dot, water is turned off. Handpiece speed is controlled with the foot control disc. Varying pressure on the foot control disc controls speed. Air coolant is also provided when you step on the foot control disc.



CONTROL HEAD

The control head can be cleaned with most commonly available surface disinfectants. Do not use any Sodium Hypochloride solutions, or any cleansers containing alcohol. These may cause paint and finish discoloration.

DENTAL UNIT WATER LINE MAINTENANCE

Distilled water is not recommended for use in dental units. The Center for Disease Control and the American Dental Association can provide recommendations on when to flush your system, for how long, and what products to use.

CLEANING AND MAINTENANCE

Do not use powdered cleansers, scouring pads, or abrasive scrubbers on any of the finished metal surfaces in this unit, i.e. the syringe or the foot control disc. Sodium Hypochloride will also damage these surfaces.

The handpiece oil collector is located on underside of unit in center, unscrew base to reveal gauze, replace weekly if necessary with 2" x 2" gauze pad.