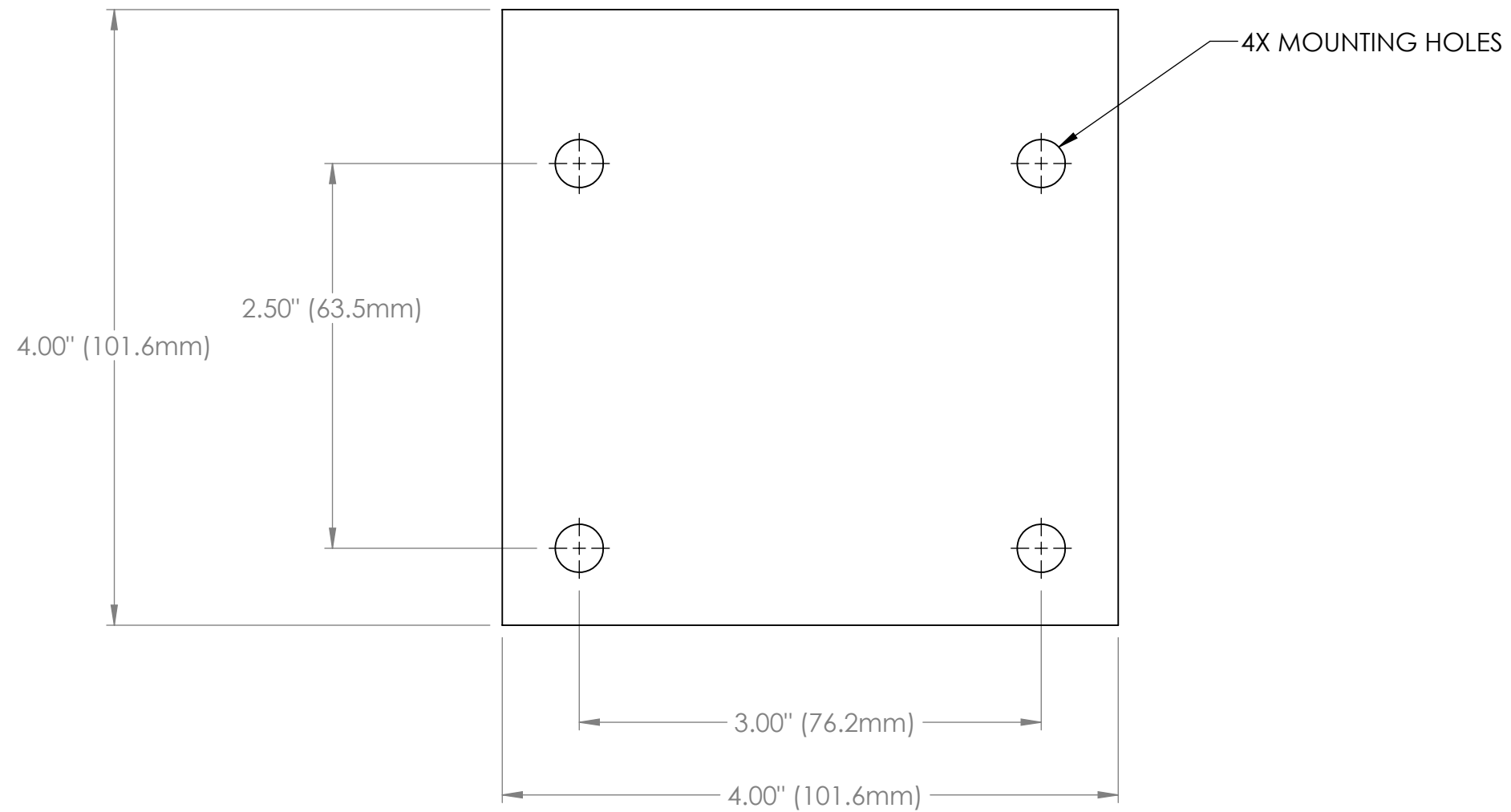




TEMPLATE PIN MOUNT BRACKET KITS, 4289 & 4291



BOTTOM VIEW  
PRINT ON 11 X 17 PAPER USING 1:1 SCALE

NOTES:

1. DRILL MOUNTING HOLES 5/16" (8mm) DIA. 3/4 DEEP.  
(NOTE-CHECK COUNTERTOP THICKNESS BEFORE DRILLING!)  
USE 6mm HEX WRENCH TO INSTALL INCLUDED 1/4-20 X 13  
INSERTS INTO COUNTER.