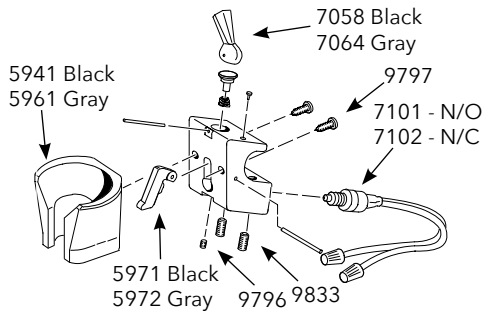
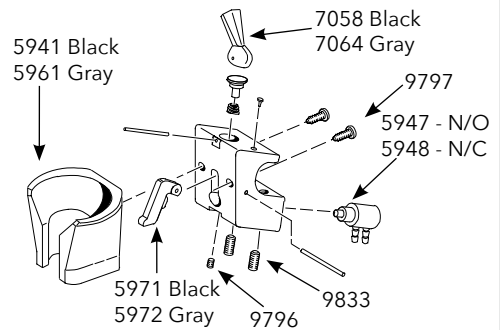


Electric Auto Accessory Holder



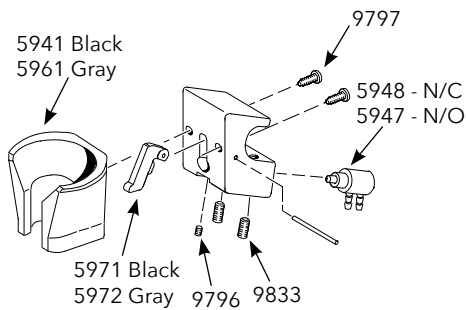
- 5966 Normally Open Black
- 5967 Normally Open Gray
- 5968 Normally Closed Black
- 5969 Normally Closed Gray

Auto Handpiece Holder w/ Lockout



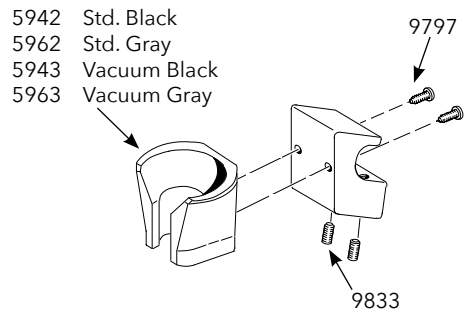
- 5940 Auto Holder Black
- 5960 Auto Holder Gray

Auto Handpiece Holder w/o Lockout



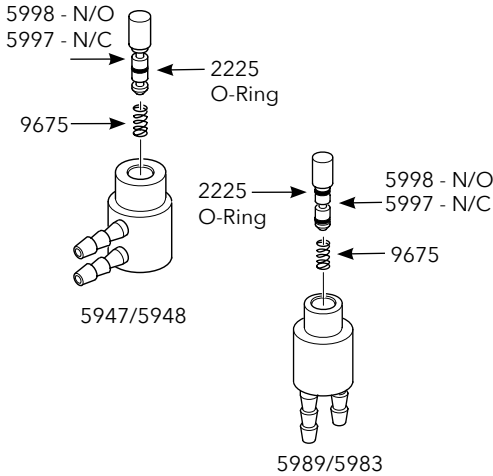
- 4592 Auto Holder Gray

Standard & Vacuum Holders

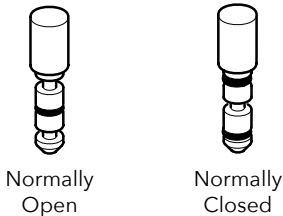


- 5945 Standard Holder Black
- 5965 Standard Holder Gray
- 5950 Vacuum Holder Black
- 5970 Vacuum Holder Gray

Automatic Handpiece Holder Valve



Stem Configuration

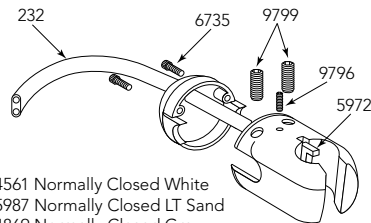


Note: In order to change stem configuration, adjust O-Ring accordingly

Instrument Holders

5941	Auto Holder (black)	\$9.00
5942	Standard Holder (black)	\$9.00
5943	Vacuum Holder (black)	\$9.00
5947	Normally open, side ported	\$10.90
5948	Normally closed, side ported	\$10.90
5961	Auto Holder (gray)	\$9.00
5962	Standard Holder (gray)	\$9.00
5963	Vacuum Holder (gray)	\$9.00
5971	Actuator Lever (black)	\$1.80
5972	Actuator Lever (gray)	\$1.80
5983	Normally closed, rear ported	\$11.50
5989	Normally open, rear ported	\$11.50
5997	Stem w/ O-Ring Normally Closed	\$1.10
5998	Stem w/ O-Ring Normally Open	\$1.10
7058	Toggle (black)	\$1.60
7064	Toggle (gray)	\$1.60
7101	Electric Switch Normally Open	\$14.20
7102	Electric Switch Normally Closed	\$14.50
9675	Spring	\$0.50
9796	Set Screw	\$0.80
9797	Screw	\$0.80
9833	Set Screw	\$0.80

Asepsis Molded Automatic Handpiece Holder Assembly



- 4561 Normally Closed White
- 5987 Normally Closed LT Sand
- 4869 Normally Closed Gray
- 4564 Normally Open White
- 5983 Normally Closed rear ported valve
- 5989 Normally Open rear ported valve

