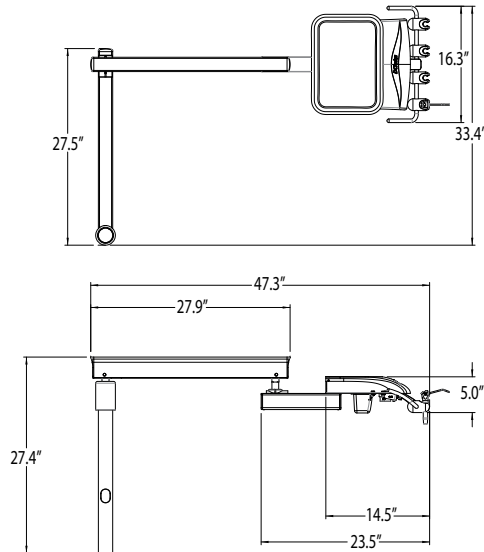
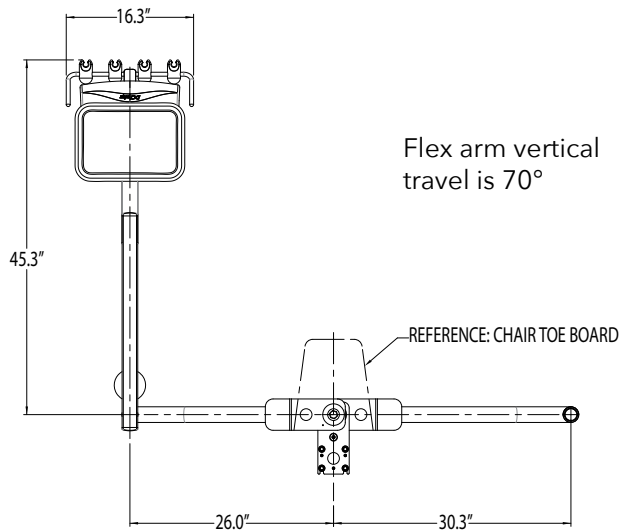


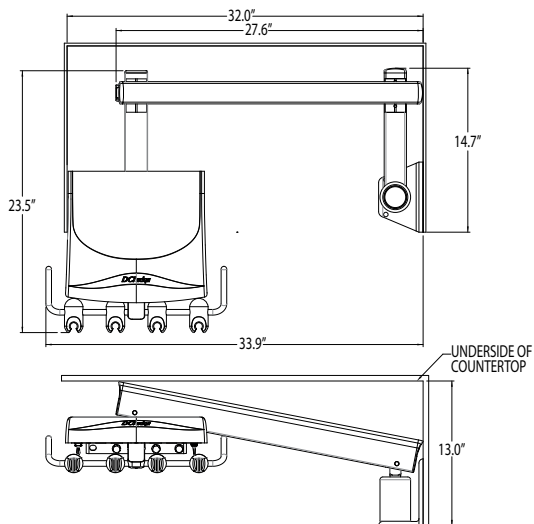
Series 4 Over the Patient Automatic Delivery System



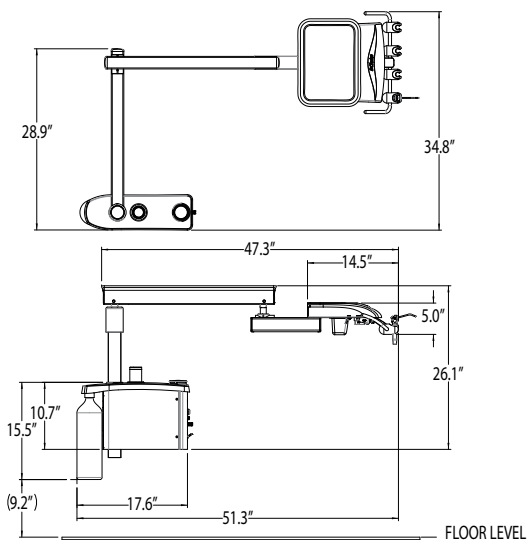
Series 4 Swing Mount Pole
w/ Automatic Delivery System & Light Pole



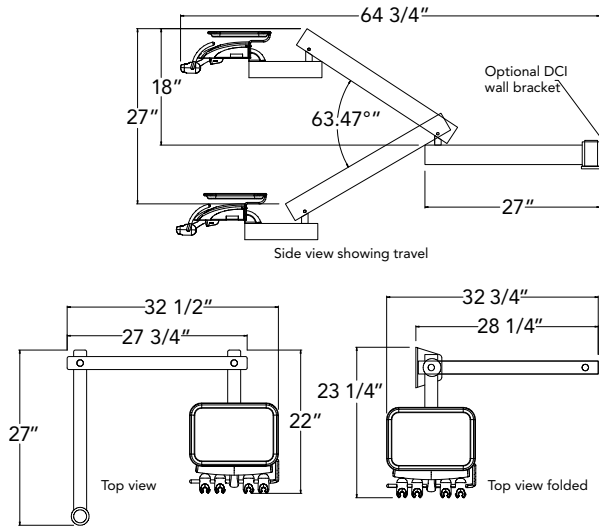
Series 4 Side Delivery Automatic Delivery System w/ Mount



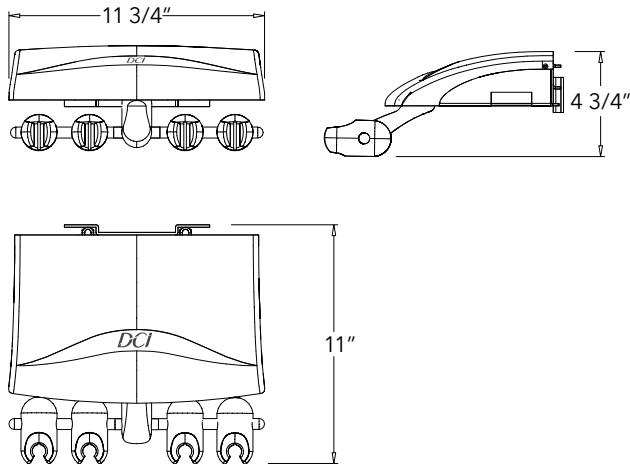
Series 4 Over the Patient Automatic Delivery System w/ PMU & Assistant's Package



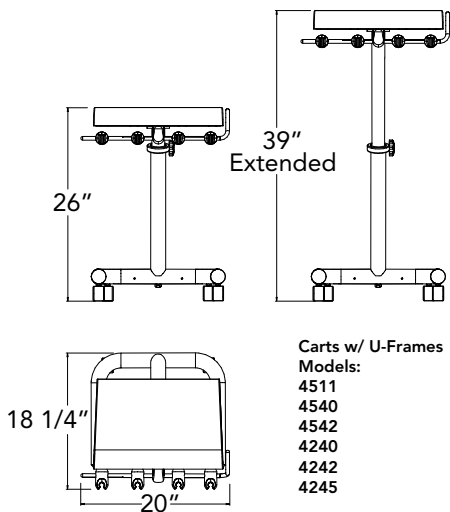
Series 4 Arm Mounted Automatic Control 4477 & 4478



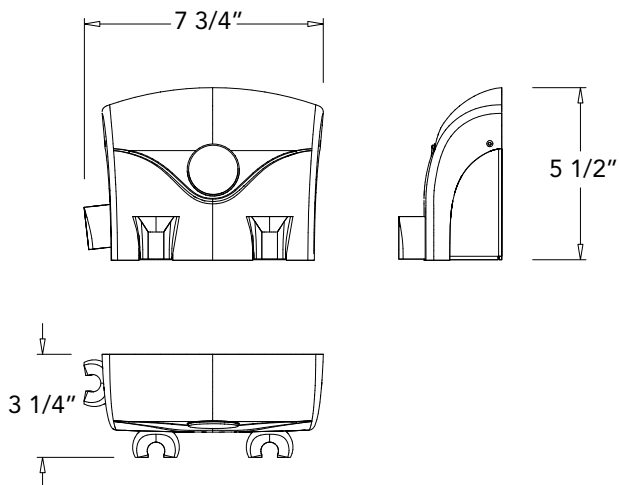
Series 4 Automatic Control 4470



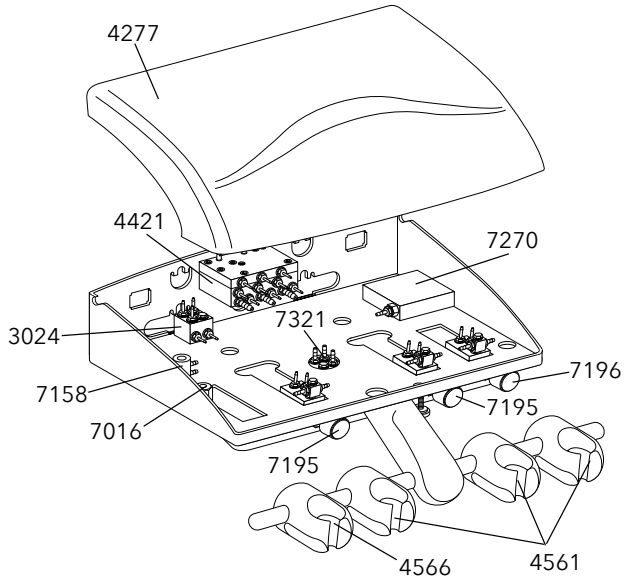
Series 4 Automatic Cart



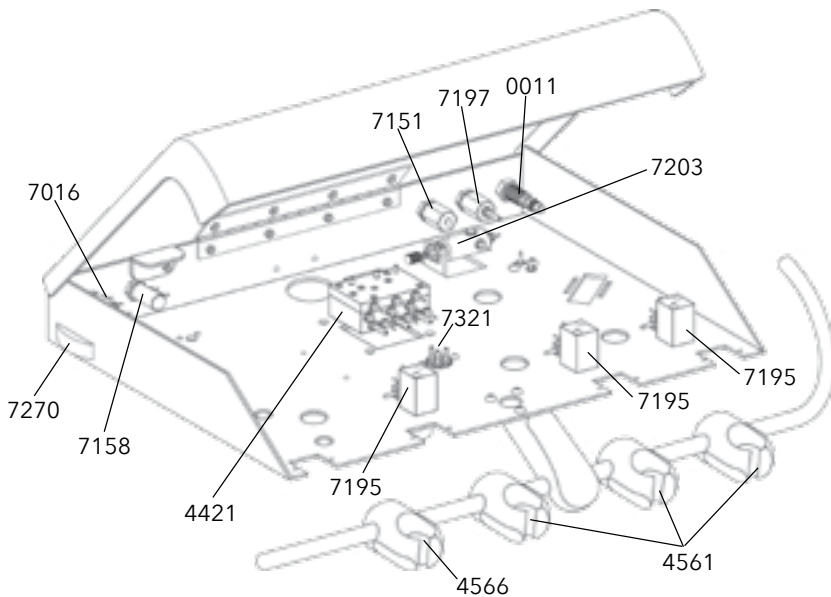
DCI III Manual Unit 4502



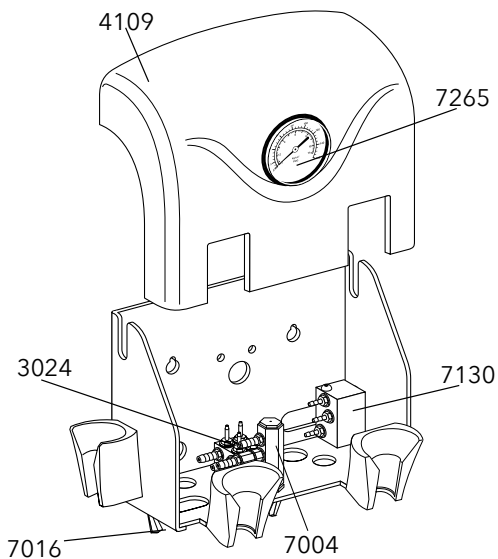
Series 4 Automatic Control



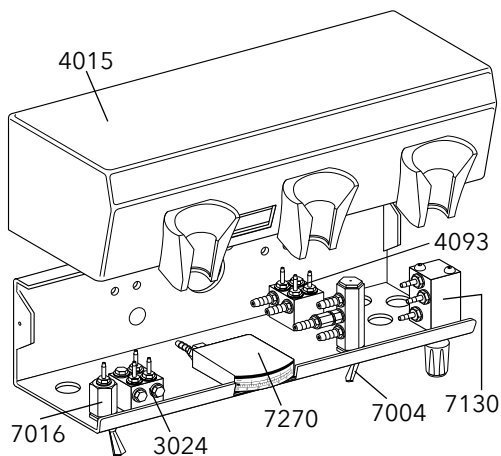
Series 4 Automatic Cart Unit 4511, 4540 & 4542



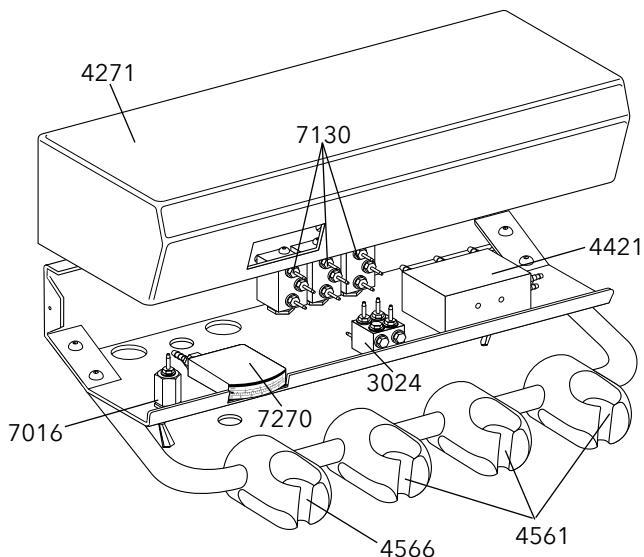
DCI III Manual Unit 4502



Alternative Manual Control 4120 & 4121

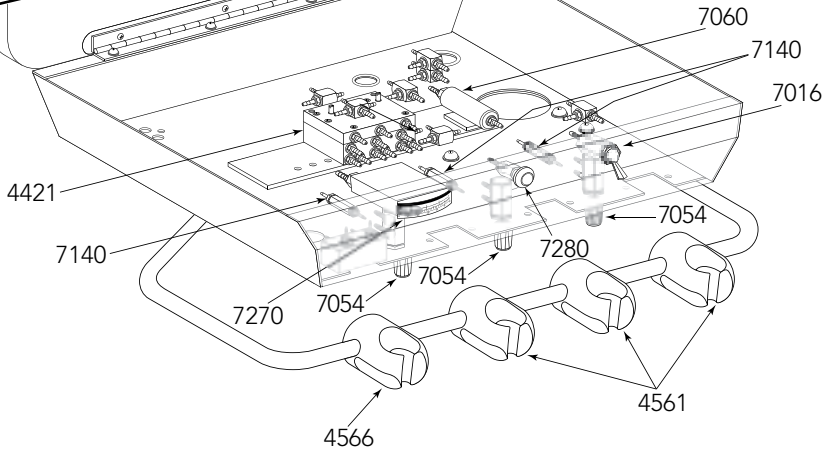


Alternative Automatic Control 4370



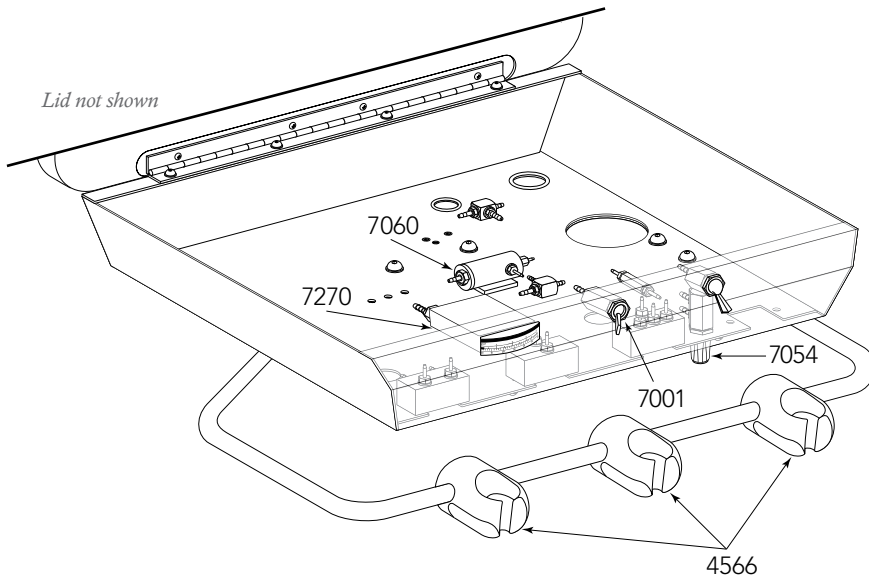
Alternative Automatic Cart 4411, 4440 & 4442

Lid not shown

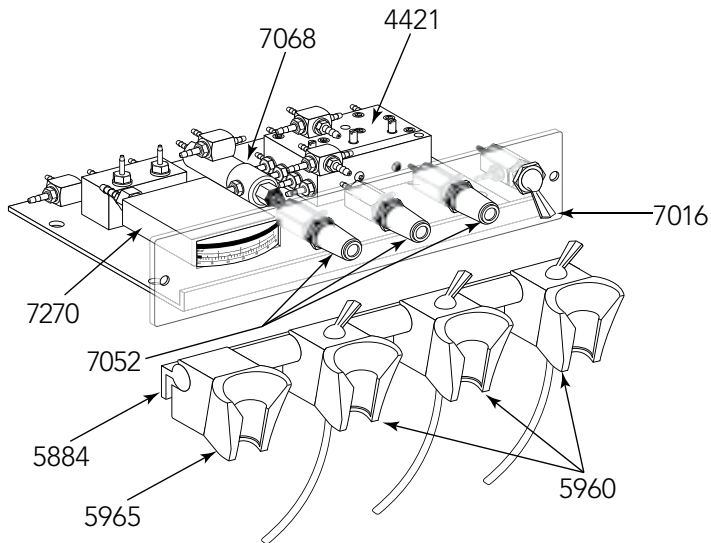


Alternative Manual Cart 4145, 4140 & 4142

Lid not shown



Panel & Horizontal Surface Mount Control 4415 & 4416



Panel & Horizontal Surface Mount Control 4400 & 4401

