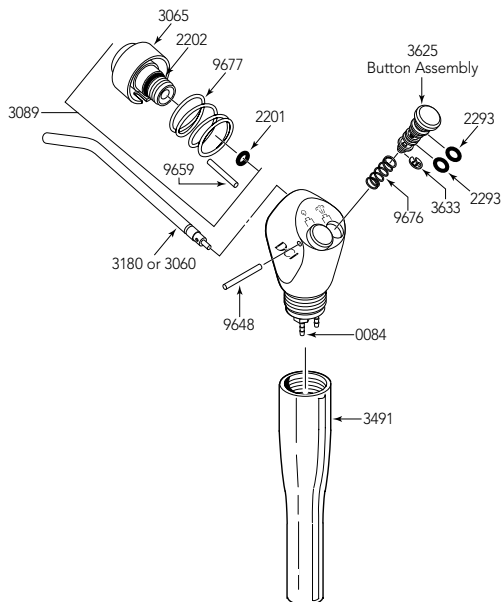
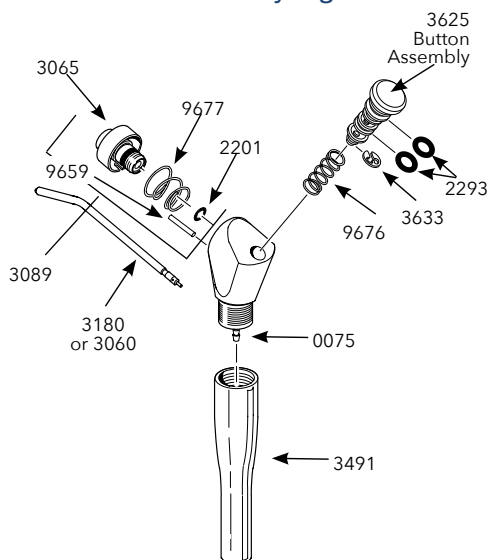


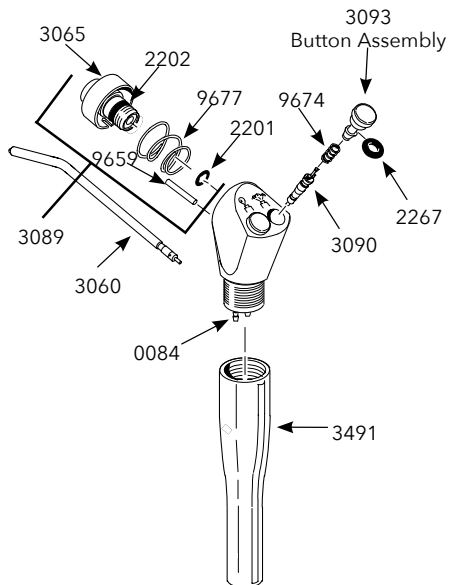
## Precision Comfort® Syringe



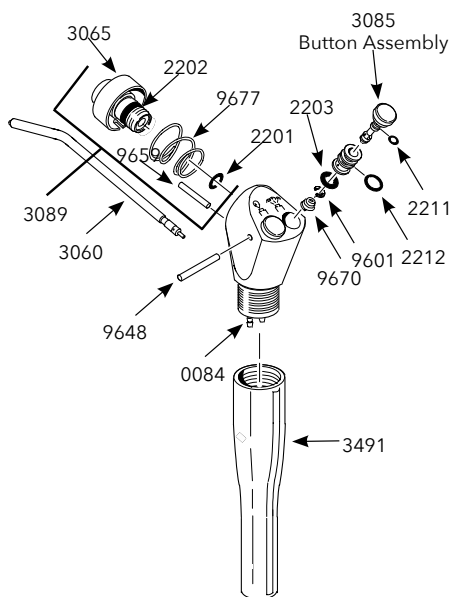
## Precision Comfort® One-Button Syringe



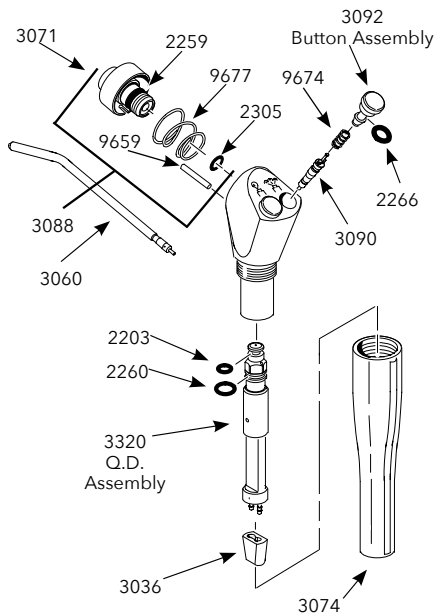
## Quick-Clean® Valve Core Syringe



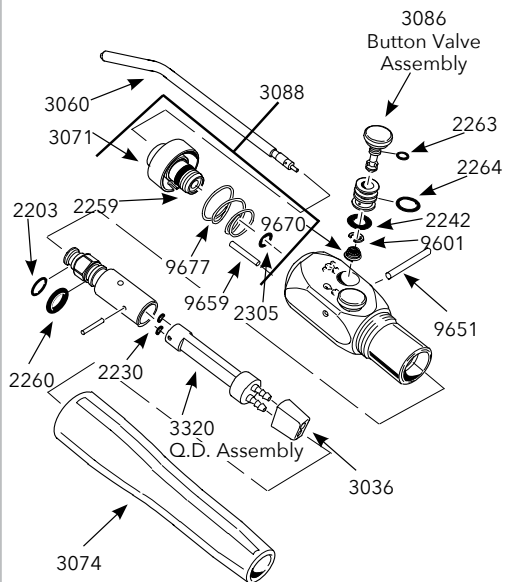
## Quick-Clean® Standard Syringe



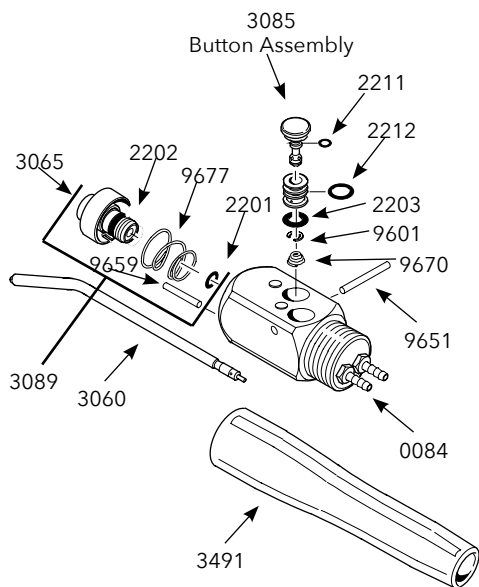
## Autoclavable Syringe



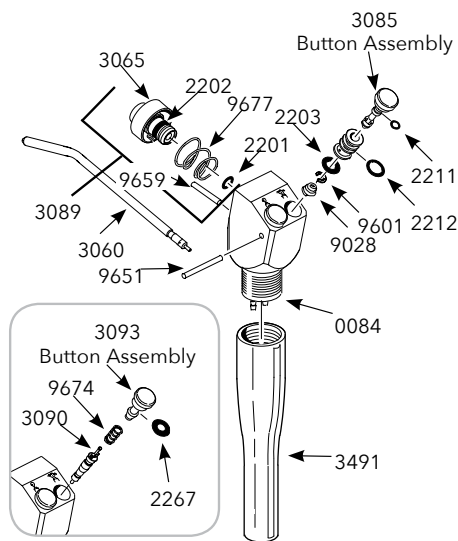
## Autoclavable Euro-Style Syringe



## Quick-Clean® Euro-Style Syringe



## Traditional Syringe



## All DCI Syringe Parts

|             |   |                 |             |  |                |
|-------------|---|-----------------|-------------|--|----------------|
| <b>0075</b> | Barb, 10-32 & Washer (pkg of 10).....   | <b>\$5.60</b>   | <b>3085</b> | Button Valve Assembly.....                       | <b>\$9.00</b>  |
| <b>0084</b> | Barb, 8-32 & Washer (pkg of 10).....    | <b>\$6.50</b>   | <b>3086</b> | Button Valve, Autoclavable.....                  | <b>\$11.00</b> |
| <b>0085</b> | Nylon Washer 8-32 (pkg of 10).....      | <b>\$3.10</b>   | <b>3088</b> | Autoclavable Quick-Change Kit.....               | <b>\$28.80</b> |
| <b>2201</b> | O-Ring (pkg of 12).....                 | <b>\$2.90</b>   | <b>3089</b> | Quick-Change® Tip Adapter Kit.....               | <b>\$27.80</b> |
| <b>2202</b> | O-Ring (pkg of 12).....                 | <b>\$2.90</b>   | <b>3090</b> | Valve Core (pkg of 10).....                      | <b>\$6.00</b>  |
| <b>2203</b> | O-Ring (pkg of 12).....                 | <b>\$2.90</b>   | <b>3092</b> | Autoclavable Button Assembly.....                | <b>\$9.20</b>  |
| <b>2211</b> | O-Ring (pkg of 12).....                 | <b>\$2.90</b>   | <b>3093</b> | Button Assembly, QC Syringe.....                 | <b>\$9.20</b>  |
| <b>2212</b> | O-Ring (pkg of 12).....                 | <b>\$2.90</b>   | <b>3180</b> | Indexing Syringe Tip.....                        | <b>\$5.90</b>  |
| <b>2230</b> | O-Ring (pkg of 12).....                 | <b>\$2.90</b>   | <b>3320</b> | Quick Disconnect Assembly.....                   | <b>\$98.00</b> |
| <b>2242</b> | O-Ring (pkg of 12).....                 | <b>\$5.70</b>   | <b>3491</b> | Handle, Quick-Clean® Syringe.....                | <b>\$8.20</b>  |
| <b>2259</b> | O-Ring (pkg of 12).....                 | <b>\$8.10</b>   | <b>3625</b> | Precision Comfort™ Syringe Button w/ Spring..... | <b>\$9.20</b>  |
| <b>2260</b> | O-Ring (pkg of 12).....                 | <b>\$8.10</b>   | <b>3633</b> | Retaining Ring.....                              | <b>\$2.00</b>  |
| <b>2263</b> | O-Ring (pkg of 12).....                 | <b>\$8.10</b>   | <b>9028</b> | Spring Conical (pkg of 10).....                  | <b>\$6.90</b>  |
| <b>2264</b> | O-Ring (pkg of 12).....                 | <b>\$8.10</b>   | <b>9601</b> | Retaining Ring.....                              | <b>\$2.00</b>  |
| <b>2266</b> | O-Ring (pkg of 12).....                 | <b>\$9.50</b>   | <b>9648</b> | Pin, Quick-Clean® Syringe Button.....            | <b>\$1.40</b>  |
| <b>2267</b> | O-Ring (pkg of 12).....                 | <b>\$2.90</b>   | <b>9651</b> | Pin, Syringe Button.....                         | <b>\$1.40</b>  |
| <b>2293</b> | O-Ring (pkg of 12).....                 | <b>\$2.90</b>   | <b>9659</b> | Pin, Tip Adapter.....                            | <b>\$0.50</b>  |
| <b>2305</b> | O-Ring (pkg of 12).....                 | <b>\$8.10</b>   | <b>9670</b> | Spring, Syringe Button.....                      | <b>\$0.70</b>  |
| <b>3036</b> | Tubing Sleeve (1 ea.).....              | <b>\$2.10</b>   | <b>9674</b> | Spring, Syringe Button.....                      | <b>\$0.70</b>  |
| <b>3059</b> | Syringe Tip (pkg of 50).....            | <b>\$200.00</b> | <b>9676</b> | Spring, Syringe Button.....                      | <b>\$0.70</b>  |
| <b>3060</b> | Syringe Tip (1 ea.).....                | <b>\$4.80</b>   | <b>9677</b> | Spring, Tip Adapter.....                         | <b>\$0.50</b>  |
| <b>3061</b> | Syringe Tip (pkg of 5).....             | <b>\$23.50</b>  |             |  |                |
| <b>3065</b> | Tip Adapter Assembly.....               | <b>\$24.70</b>  |             |  |                |
| <b>3071</b> | Tip Adapter Assembly, Autoclavable..... | <b>\$25.80</b>  |             |  |                |
| <b>3074</b> | Handle, Autoclavable Syringe.....       | <b>\$10.30</b>  |             |  |                |

